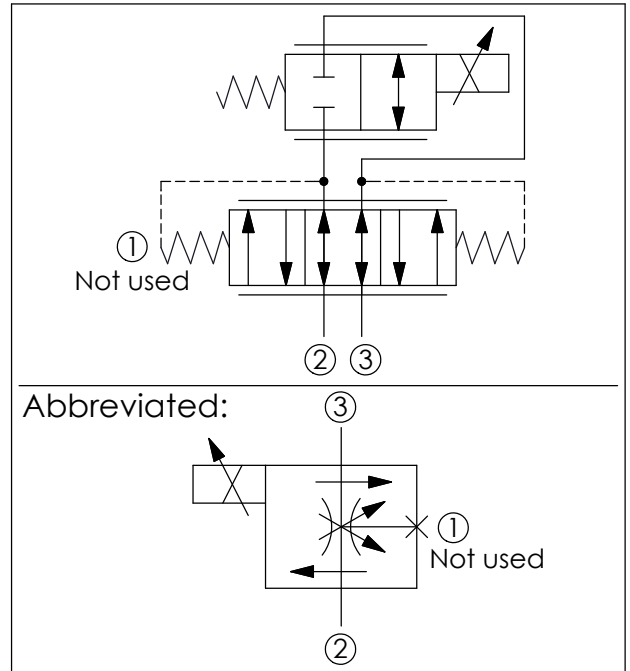
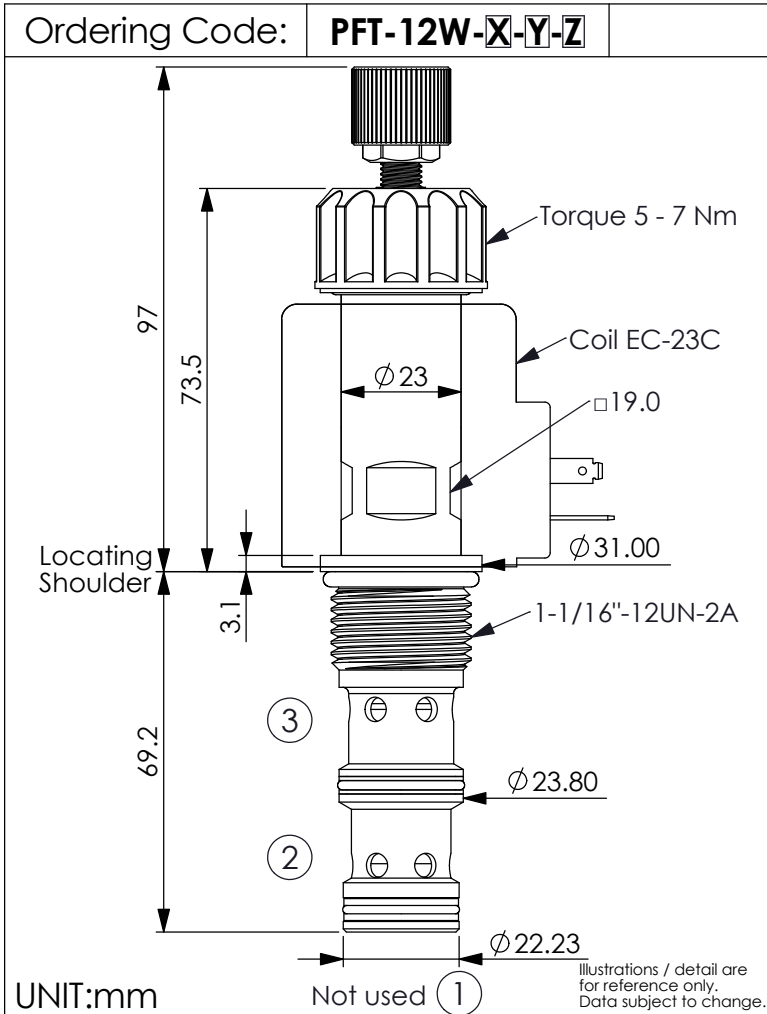
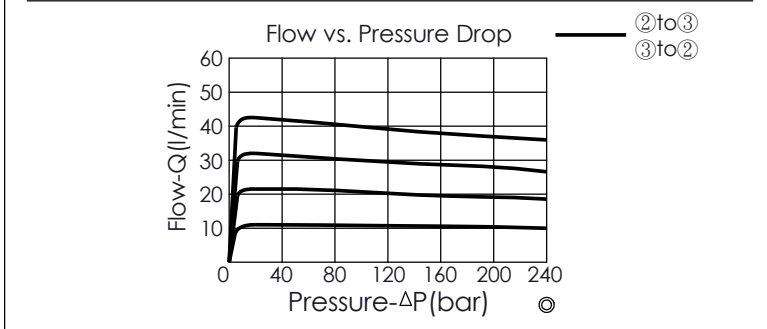
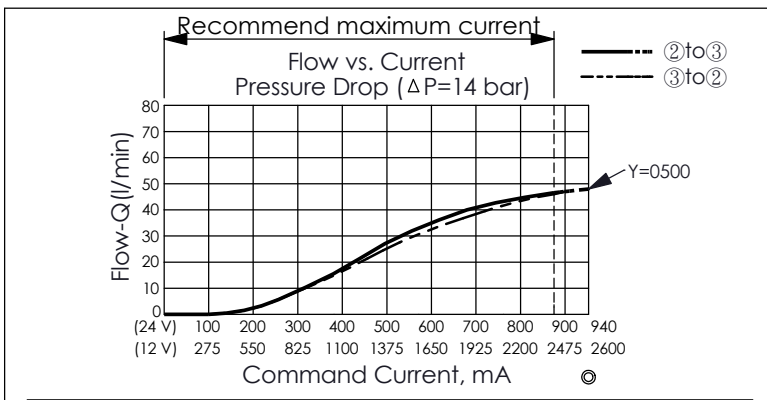


## BI-DIRECTIONAL FLOW CONTROL VALVE (Normally Closed, Electro-Proportional, Pressure compensated)

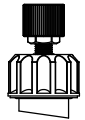


TECHNICAL DATA	
Max.Operating pressure:	240 bar
Rated flow:	50 l/min
Cavity-Tooling:	12W-3
Installation torque:	54 - 66 Nm
Linearity (with dither)	<2%
Repeatability (with dither)	<2%
Hysteresis (with dither)	<4%
Hysteresis with DC input	<8%
Weight:(with Coil)	0.746 kg
(without Coil)	0.396 kg
<ul style="list-style-type: none"> <li>· If you need higher max. operating pressure, please contact WINNER's sales department.</li> <li>· Maximum Leakage Approximately ( 0.3 LPM )</li> </ul>	



Y	PRIORITY FLOW (PORT ③)
<b>0500</b>	0 - 50 LPM
<ul style="list-style-type: none"> <li>· If you need other flow options, please contact WINNER's sales department.</li> <li>*If there is a requirement for factory minimum flow setting (port ③), please contact Winner sales department.</li> </ul>	

X	OPERATION
<b>3G</b>	3 Ports · 17 Watt. Coil ∅ 23 mm tube
NOTE:Coil must be ordered separately. Use 12V DC or 24V DC (Series EC-23C) coils only.	

Z	OPTIONS
<b>M</b>	Manual Override (Standard) 
<b>N</b>	Non-adjustable 