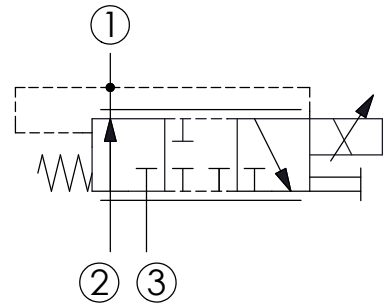
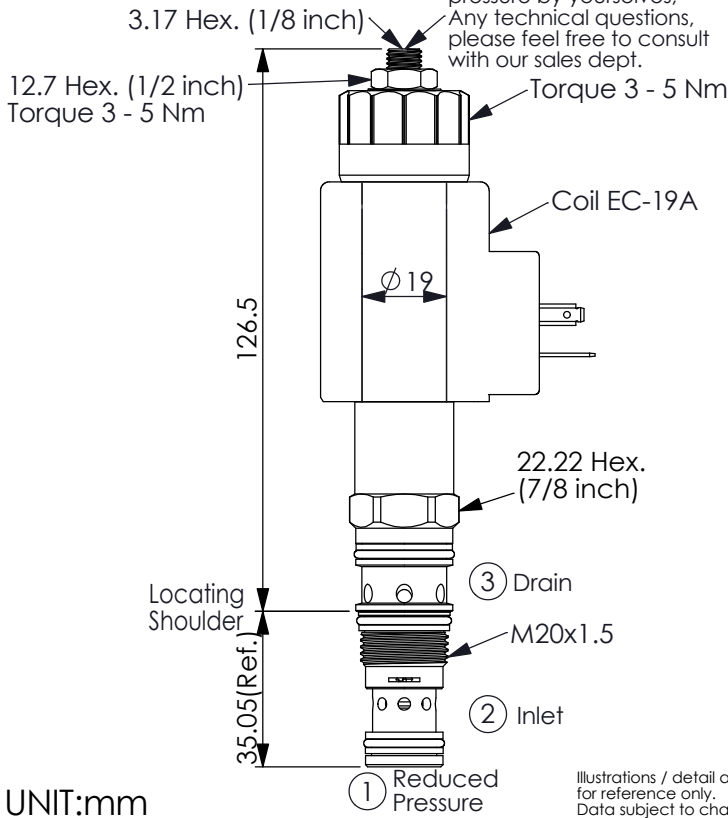


Ordering Code: **PPC-11A-X-Y-Z-74-1**

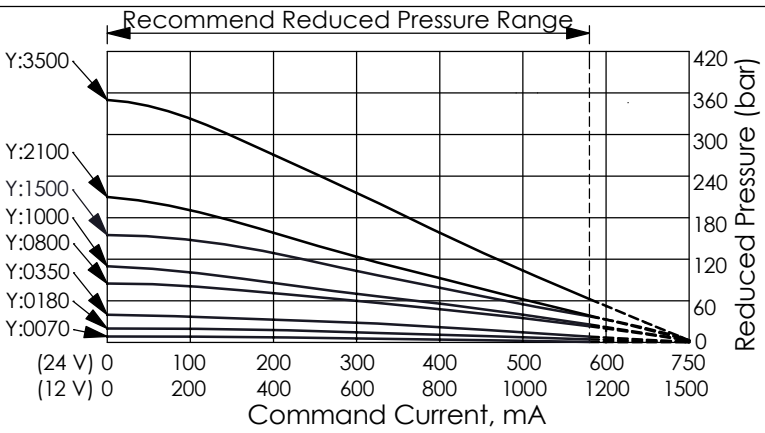
U.S. PATENT US9234605

If you would like to adjust the pressure by yourselves, Any technical questions, please feel free to consult with our sales dept.



TECHNICAL DATA

Max. Operating pressure:	350	bar
Rated flow:	20	l/min
Cavity-Tooling:	11A-3	
Installation torque:	40 - 50	Nm
Linearity (with dither)	<2%	
Repeatability (with dither)	<2%	
Hysteresis (with dither)	<4%	
Hysteresis with DC input	<8%	
Maximum valve leakage approximately = 20 cc/min. Leakage specified is out of port (3) with a supply pressure of 210 bar and the valve set at mid-range.		
Weight:(with Coil)	0.54	kg
(without Coil)	0.30	kg



Y	OPERATING RANGE	
	Rated Pressure	
0070	7 - 1 bar	
0180	18 - 1 bar	
0350	35 - 1 bar	
0800	80 - 2 bar	
1000	100 - 10 bar	
1500	150 - 10 bar	
2100	210 - 20 bar	
3500	350 - 35 bar	

When inlet pressure up to 210 - 350 bar
Recommend : Keep "Reduced Pressure" (Port 1)
minimum 30 bar to have best control.

X	OPERATION	
3D	3 Ports - 22 Watt. Coil	
	Ø 19 mm tube	

Z	OPTIONS	
L	Leakproof hex. socket screw. e.g. PPC-11A-3D-0800-L-74-1. When the reducing port (port 1) is closed, and the pressure setting is 80 bar, the inlet port (port 2) should add 10 bar, making the pressure setting 80+10=90 bar.	