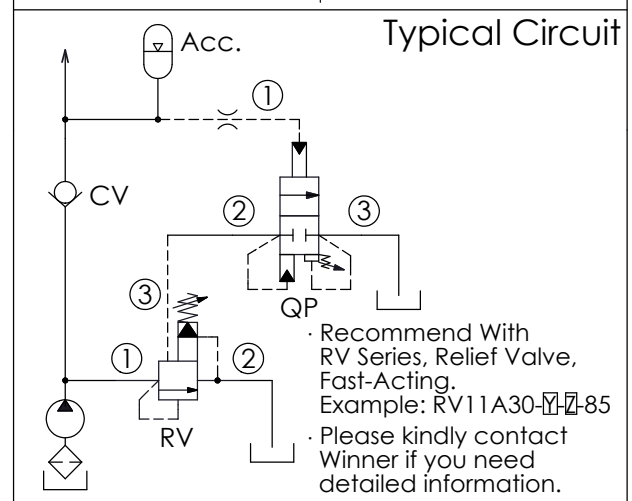
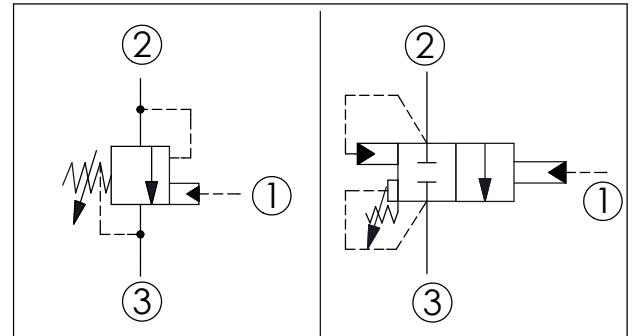
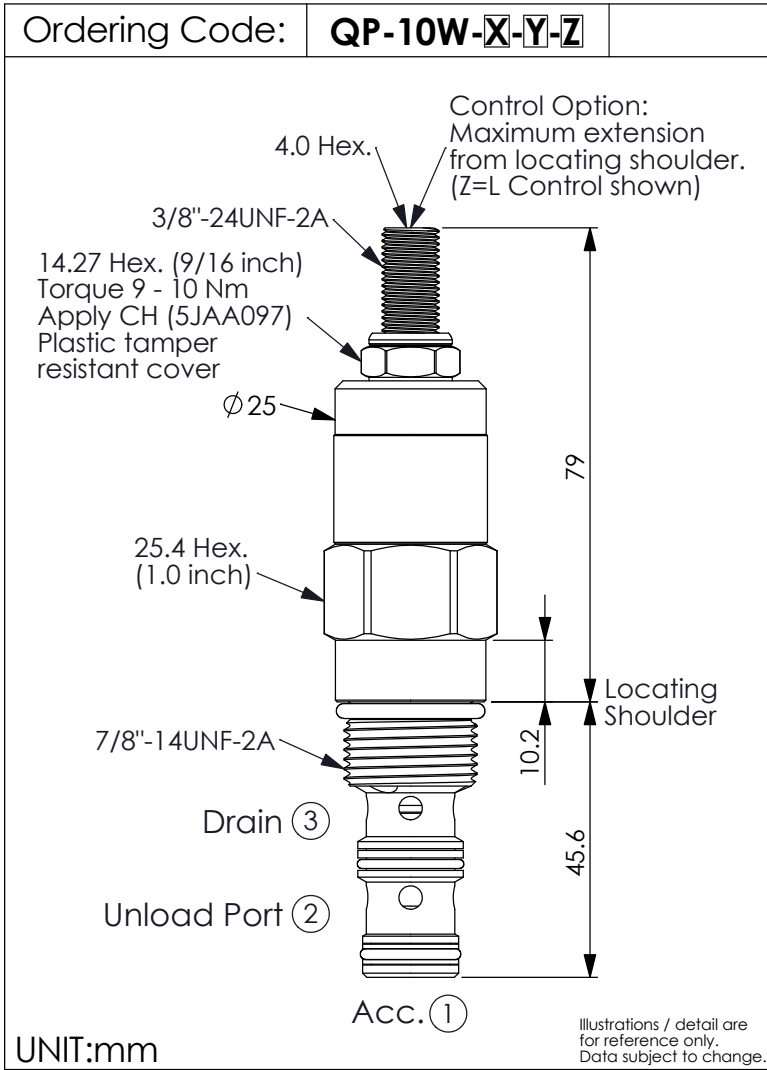
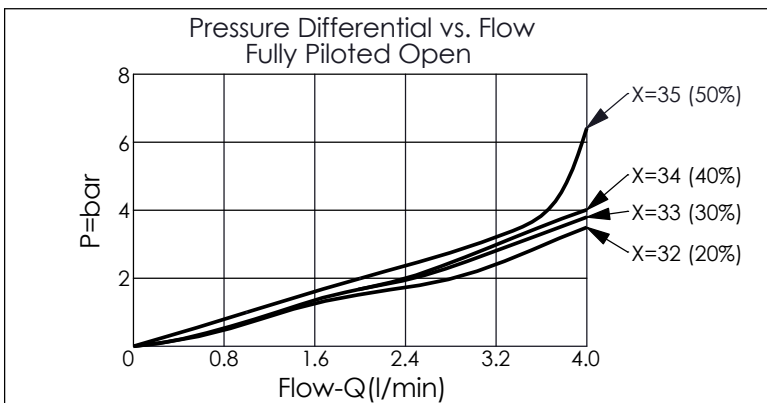


## ACCUMULATOR SENSE, PUMP UNLOAD VALVE



TECHNICAL DATA	
Max. Operating pressure:	350 bar
Rated flow:	4 l/min
Cavity-Tooling:	10W-3
Installation torque:	35 - 45 Nm
Weight:	0.25 kg
Note: Careful consideration should be given when selecting an adjustment range. System pressure drops and flows tend to affect the operation of unloading valves.	



Y	SPRINGS	
	ADJUSTMENT RANGES	
A	70 - 210 bar	(70 bar Standard Setting)
B	30 - 105 bar	(70 bar Standard Setting)
D	18 - 55 bar	(25 bar Standard Setting)
W	100 - 280 bar	(210 bar Standard Setting)

X	OPERATION	
31	10% Nominal Differential	
32	20% Nominal Differential	
33	30% Nominal Differential	
34	40% Nominal Differential	
35	50% Nominal Differential	
· If you need to control precisely, please select QP-11A-3A(32)(33)(35).		

Z	OPTIONS	
L	Leakproof hex. socket screw.	