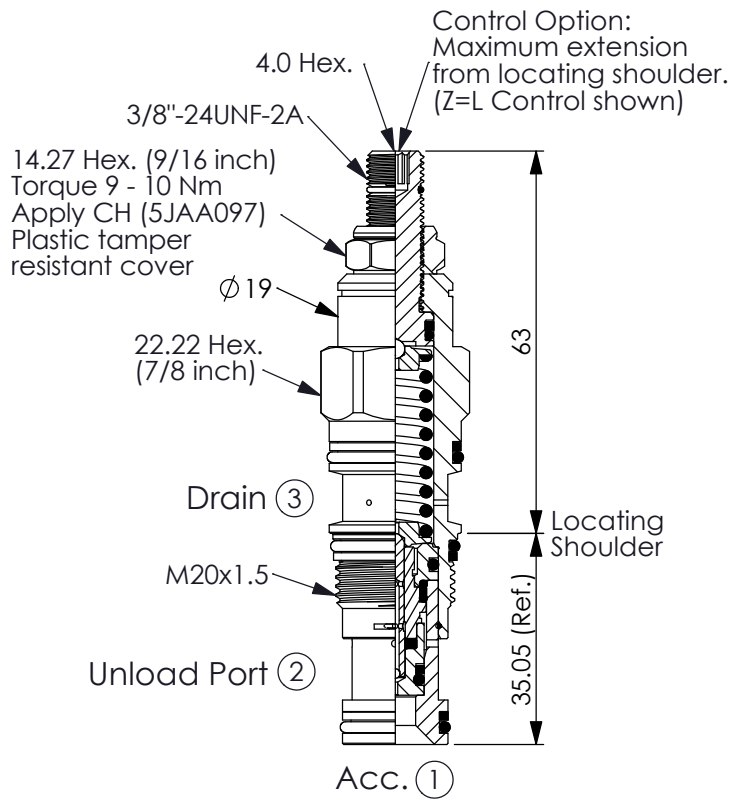


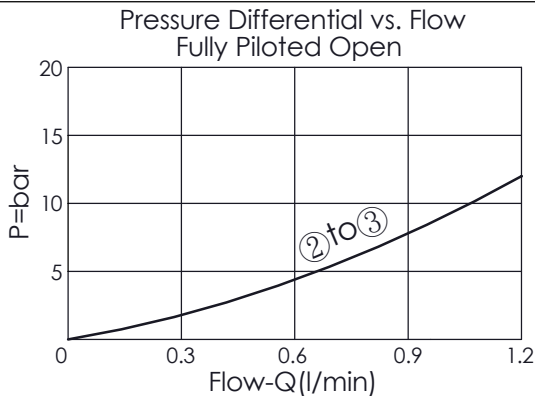
ACCUMULATOR SENSE, PUMP UNLOAD VALVE

Ordering Code: **QP-11A-X-Y-Z**

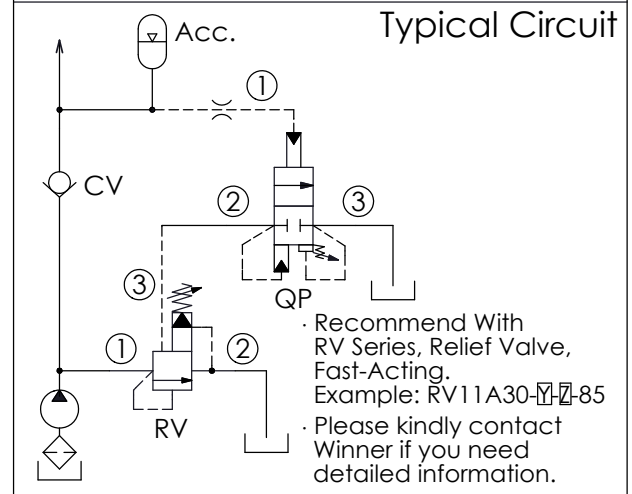
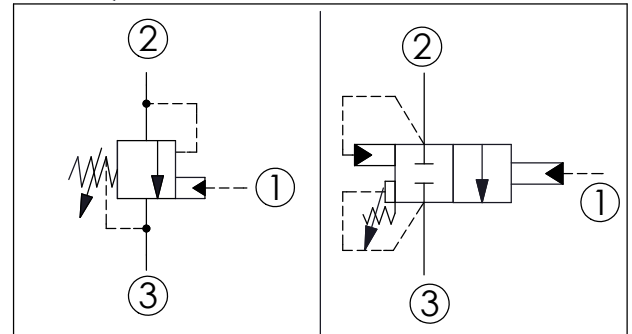


UNIT:mm

Illustrations / detail are for reference only. Data subject to change.



Y	SPRINGS	
	RECOMMEND ADJUSTMENT RANGES	
A	70 - 210 bar (70 bar Standard Setting)	
B	35 - 105 bar (35 bar Standard Setting)	
C	140 - 350 bar (140 bar Standard Setting)	
D	18 - 55 bar (18 bar Standard Setting) (If a lower setting pressure is required, please contact the Winner sales department.)	



TECHNICAL DATA

Max. Operating pressure: 350 bar

Rated flow: 0.8 l/min

Cavity-Tooling: 11A-3

Installation torque: 40 - 50 Nm

Weight: 0.16 kg

Note: Careful consideration should be given when selecting an adjustment range. System pressure drops and flows tend to affect the operation of unloading valves.

X	OPERATION	
3A	15% Nominal Differential	
32	20% Nominal Differential	
33	30% Nominal Differential	
35	50% Nominal Differential	

Z	OPTIONS	
L	Leakproof hex. socket screw.	