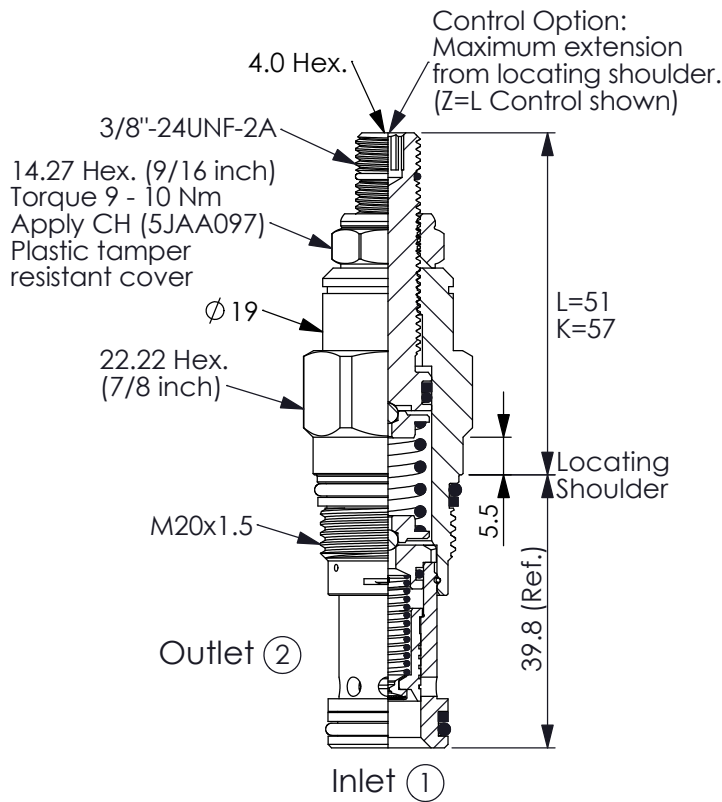
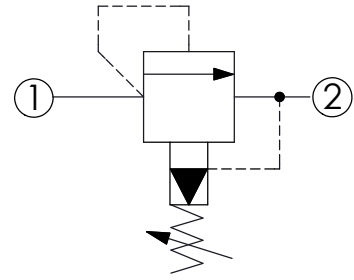


Ordering Code: **RP-10A-X-Y-Z**



UNIT:mm

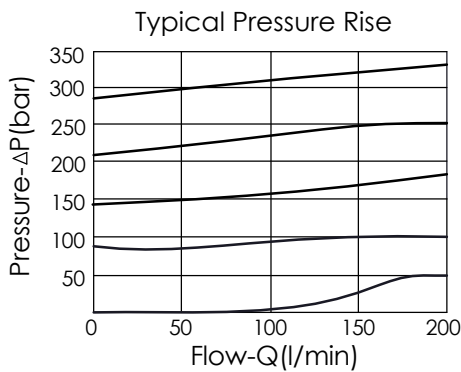
Illustrations / detail are for reference only. Data subject to change.



TECHNICAL DATA

Max. Operating pressure:	350 bar
Rated flow:	95 l/min
Cavity-Tooling:	10A-2
Installation torque:	40 - 50 Nm
Weight:	0.14 (Z=L) kg

Will accept maximum pressure at port ② but it is necessary to install double back-up rings to valve for cross port relief circuit application. Leakage of spool should be concerned. If you have any questions, please contact Winner's sales department.



X OPERATION

22 Pilot Operated ① to ② (P to T)

- Response Time-Typical (2 ms)
- Maximum Leakage Approximately (30 cc/min./70 bar)

Z OPTIONS

L	Leakproof hex. socket screw.	
K	Handknob with Lock Knob. (Order Code: 6ZAK001)	
C	Stainless Steel Tamper Resistant Cover.	
G	Wrench Adjustment	

Y SPRINGS

ADJUSTMENT RANGES

A	7 - 210 bar (70 bar Standard Setting)
B	3.5 - 105 bar (70 bar Standard Setting)
C	10.5 - 420 bar (70 bar Standard Setting)
D	1.7 - 55 bar (28 bar Standard Setting)
E	1.7 - 28 bar (14 bar Standard Setting)
N	4 - 55 bar (28 bar Standard Setting)
Q	4 - 28 bar (14 bar Standard Setting)
W	10.5 - 315 bar (70 bar Standard Setting)