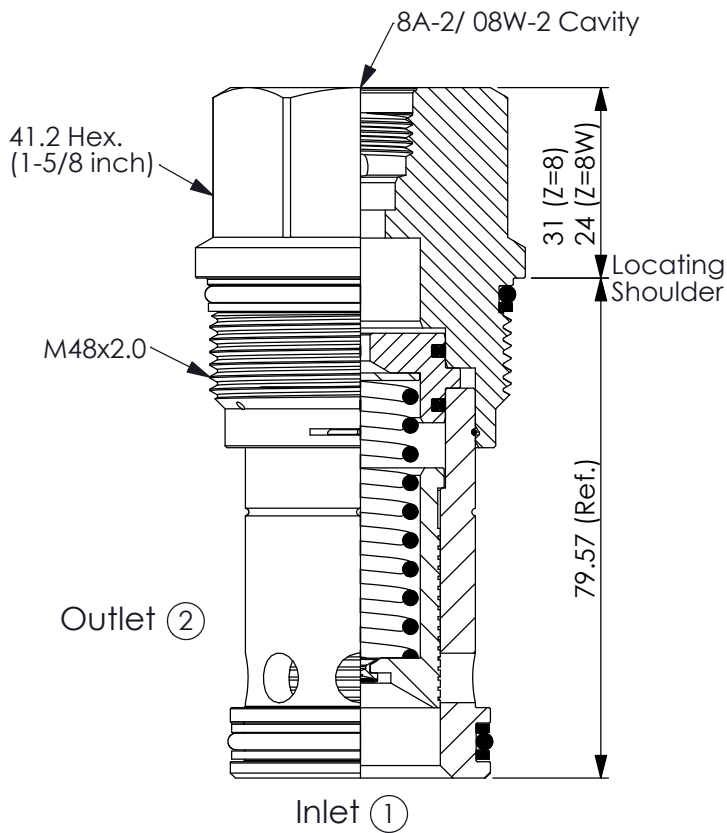


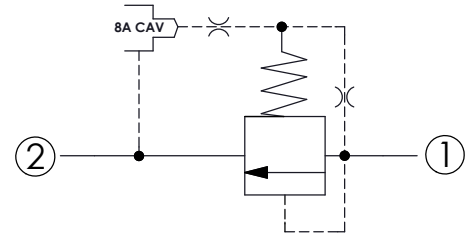
(Pilot operated, balanced piston relief main stage with integral 8A control cavity)

Ordering Code: **RP-18A-X-Y-Z**



UNIT:mm

Illustrations / detail are for reference only. Data subject to change.



### TECHNICAL DATA

Max.Operating pressure: 350 bar

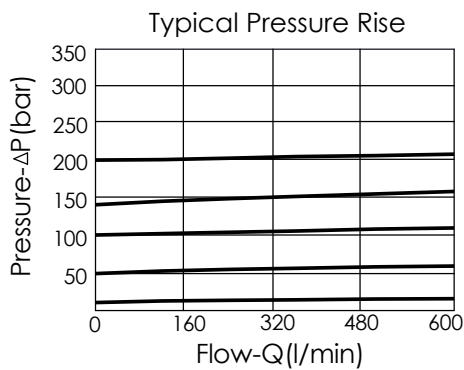
Rated flow: 760 l/min

Cavity-Tooling: 18A-2 (18AB-2)

Installation torque: 465 - 500 Nm

Weight: 0.94 kg

Will accept maximum pressure at port ②; suitable for use in cross port relief circuits. If used in cross port relief circuits, consider spool leakage.



### X OPERATION

**20** ① to ② (P to T)

- Response Time-Typical (10 ms)
- Maximum Leakage Approximately (82 cc/min./70 bar)

**Y**

### SPRINGS

MINIMUM CONTROL PRESSURE

**D**

1.7 bar (25 psi)

**W**

7 bar (100 psi)

W spring is suit for higher pressure drop application. Please consult our sales department.

**Z**

### CAVITIES

**8**

8A-2 Cavity

**8W**

08W-2 Cavity