

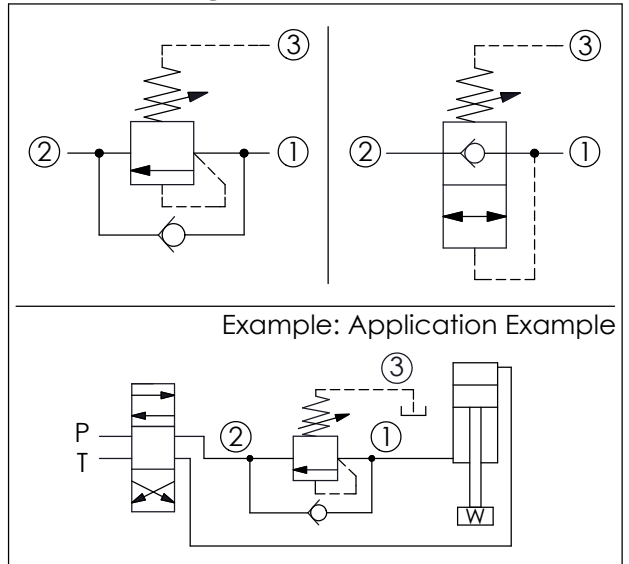
SEQUENCE VALVE (Direct Acting with Reverse Flow Check)

Ordering Code: **SC-11A-X-Y-Z**

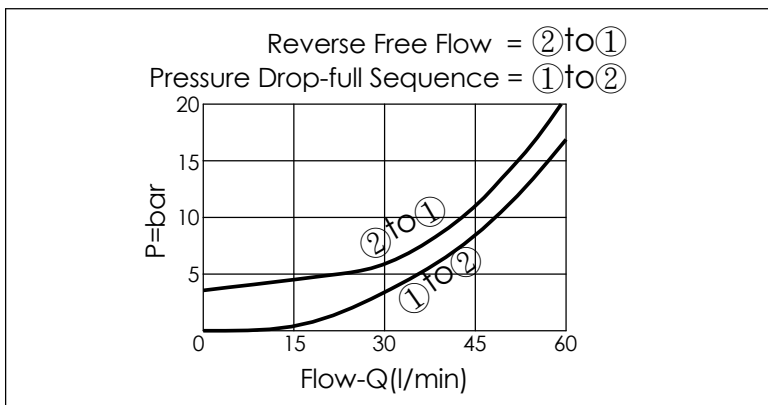
Control Option:
Maximum extension
from locating shoulder.
(Z=L Control shown)

UNIT:mm

Illustrations / detail are
for reference only.
Data subject to change.



TECHNICAL DATA	
Max. Operating pressure:	350 bar
Rated flow:	60 l/min
Cavity-Tooling:	11A-3
Installation torque:	40 - 50 Nm
Weight:	0.196 (Z=L) kg



X	OPERATION
30	Standard Type
	<ul style="list-style-type: none"> Response Time-Typical (2 ms) Maximum Leakage Approximately (0.7 cc/min.)

Z	OPTIONS
L	Leakproof hex. socket screw.
LP	Leakproof hex. socket screw. With stainless steel external metal components
C	Stainless Steel Tamper Resistant Cover.
CB	Plastic Tamper Resistant Cover (Order Code:5JAA093)
K	Handknob with Lock Knob. (Order Code: 6ZAK001)

Y	SPRINGS
ADJUSTMENT RANGES	
A	35 - 210 bar (70 bar Standard Setting)
B	20 - 105 bar (70 bar Standard Setting)
C	140 - 420 bar (140 bar Standard Setting)
D	14 - 55 bar (28 bar Standard Setting)
E	7 - 28 bar (14 bar Standard Setting)
W	55 - 315 bar (70 bar Standard Setting)

※ Port ② to Port ① Check Valve Cracking Pressure 2.8 bar