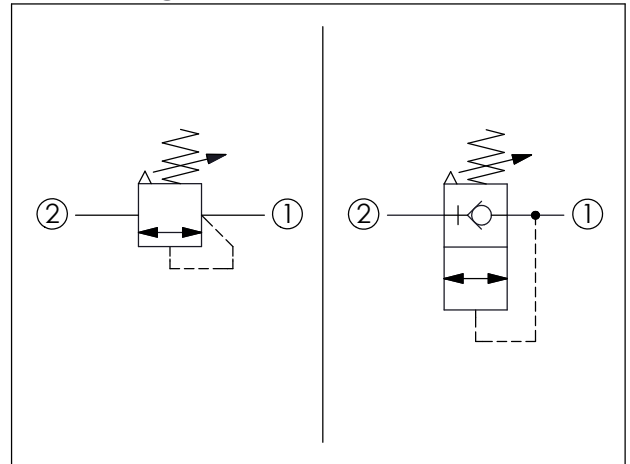
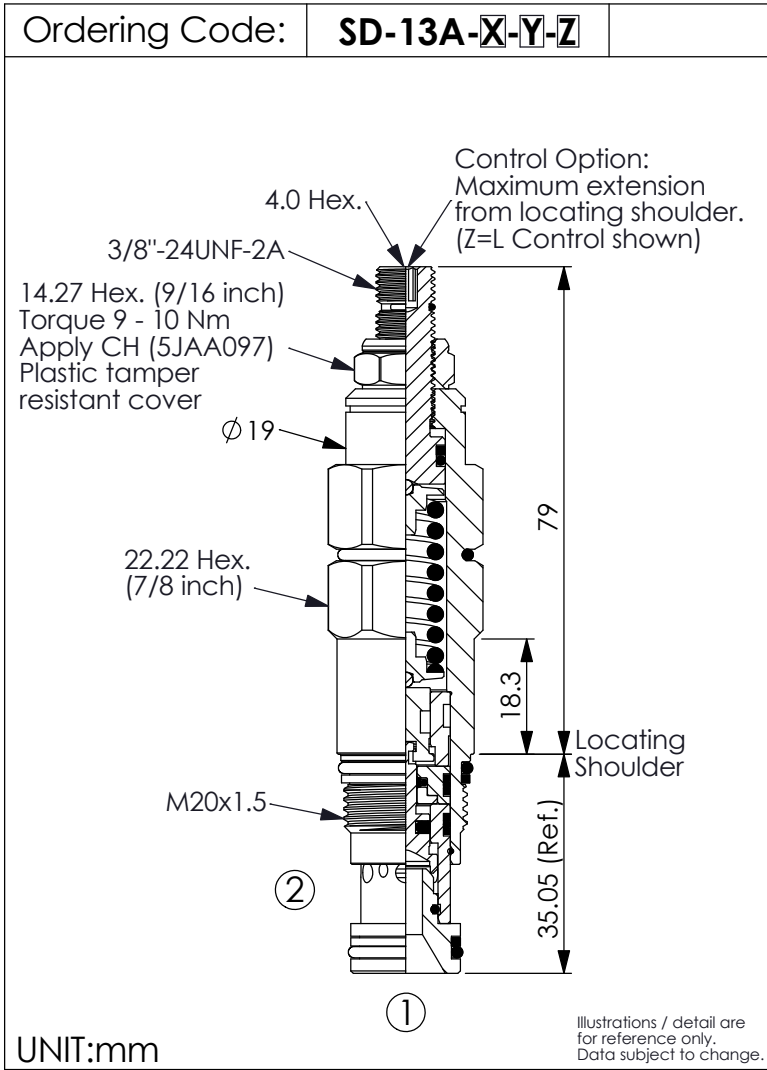

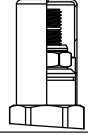
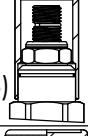
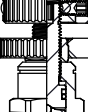


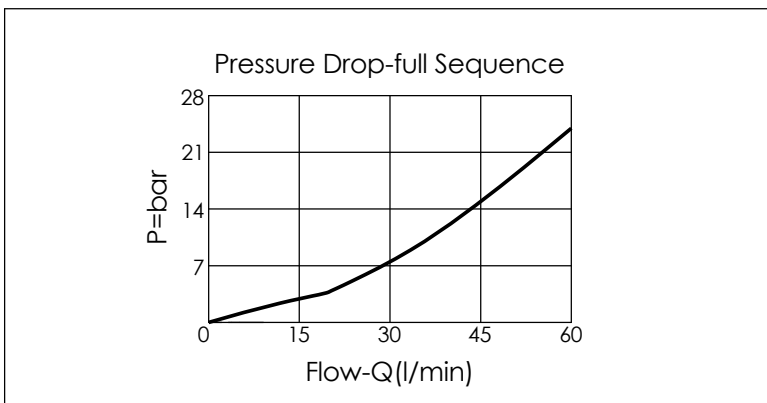
SEQUENCE VALVE (Atmospherically Referenced, Direct Acting without Reverse Flow Check)



TECHNICAL DATA	
Max. Operating pressure:	350 bar
Rated flow:	60 l/min
Cavity-Tooling:	13A-2
Installation torque:	40 - 50 Nm
Weight:	0.203 (Z=L) kg
<ul style="list-style-type: none"> Approximately 1 drop (0.07 cc) of fluid will pass from the pilot area to the vented spring chamber every 4000 cycles. 	

X	OPERATION
20	Standard Type
<ul style="list-style-type: none"> Response Time-Typical (2 ms) Maximum Leakage Approximately (0.7 cc/min.) 	

Z	OPTIONS
L	Leakproof hex. socket screw. 
C	Stainless Steel Tamper Resistant Cover. 
CB	Plastic Tamper Resistant Cover (Order Code:5JAA093) 
K	Handknob with Lock Knob. (Order Code: 6ZAK001) 



Y	SPRINGS	
	ADJUSTMENT RANGES	
A	35 - 210 bar	(70 bar Standard Setting)
B	20 - 105 bar	(70 bar Standard Setting)
C	140 - 420 bar	(140 bar Standard Setting)
D	14 - 55 bar	(28 bar Standard Setting)
E	7 - 28 bar	(14 bar Standard Setting)
W	55 - 315 bar	(70 bar Standard Setting)