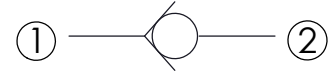
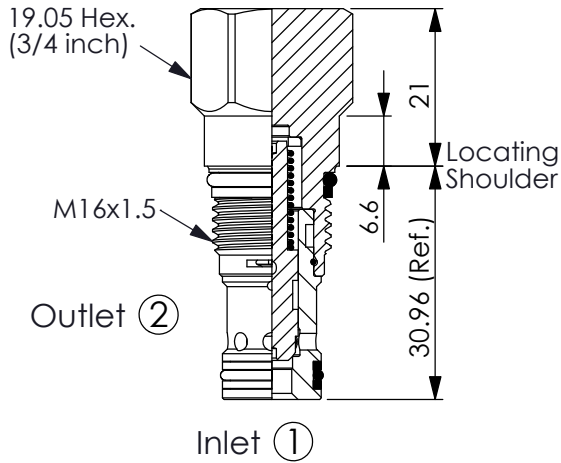


Ordering Code: **CV-162A-X-Y-Z**



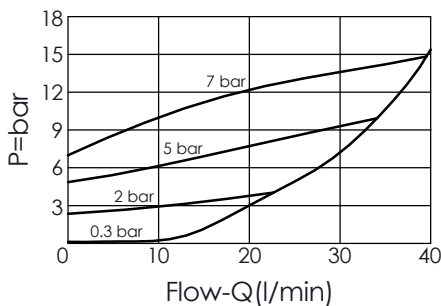
TECHNICAL DATA

Max. Operating pressure:	350	bar
Rated flow:	40	l/min
Cavity-Tooling:	162A-2	
Installation torque:	27 - 33	Nm
Weight:	0.075	kg

UNIT:mm

Illustrations / detail are for reference only. Data subject to change.

Typical Pressure Drop



X OPERATION

20 ① to ② (Free Flow)

Y

SPRINGS

Cracking pressure

007	0.07 bar
03	0.3 bar
10	1.0 bar
20	2.0 bar
35	3.5 bar
50	5.0 bar
70	7.0 bar

Z OPTION

NS

Non-adjustable
With stainless steel
all metal components
(Buna-N Seal)

