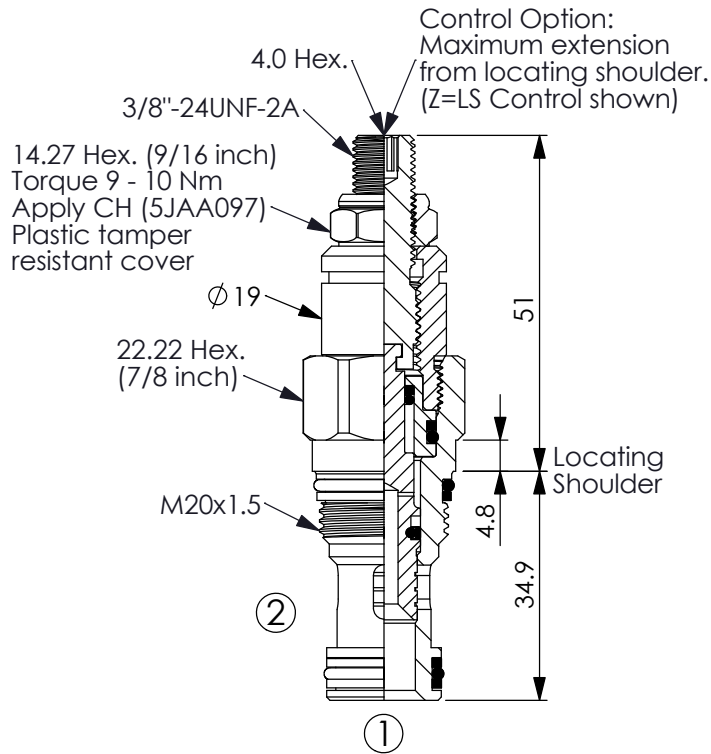


# FLOW CONTROL VALVE

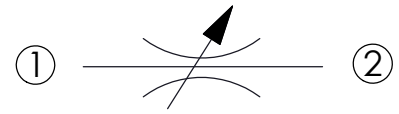
(Stainless Steel All Metal Components)  
(Fully Adjustable Needle Valve, High Capacity)

Ordering Code: **NV-13A-X-Y-Z**



UNIT:mm

Illustrations / detail are  
for reference only.  
Data subject to change.



## TECHNICAL DATA

Max. operating pressure: 350 bar  
(Refer To Performance Chart)

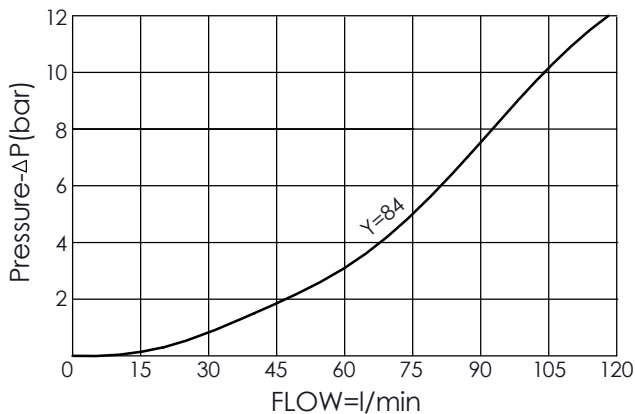
Rated flow: 80 l/min  
(Refer To Performance Chart)

Cavity-Tooling: 13A-2

Installation torque: 40 - 50 Nm


Weight: 0.139 kg

FULLY OPEN RESTRICTOR-FLOW IN BOTH DIRECTIONS



Y	MAXIMUM NOMINAL ORIFICE DIAMETER
84	Ø 8.4 mm

X	OPERATION
28	Fully Adjustable Needle Valve

Z	OPTIONS
LS	Leakproof hex. socket screw. With stainless steel all metal components 
TS	Three-winged Handknob Kit. With stainless steel all metal components 