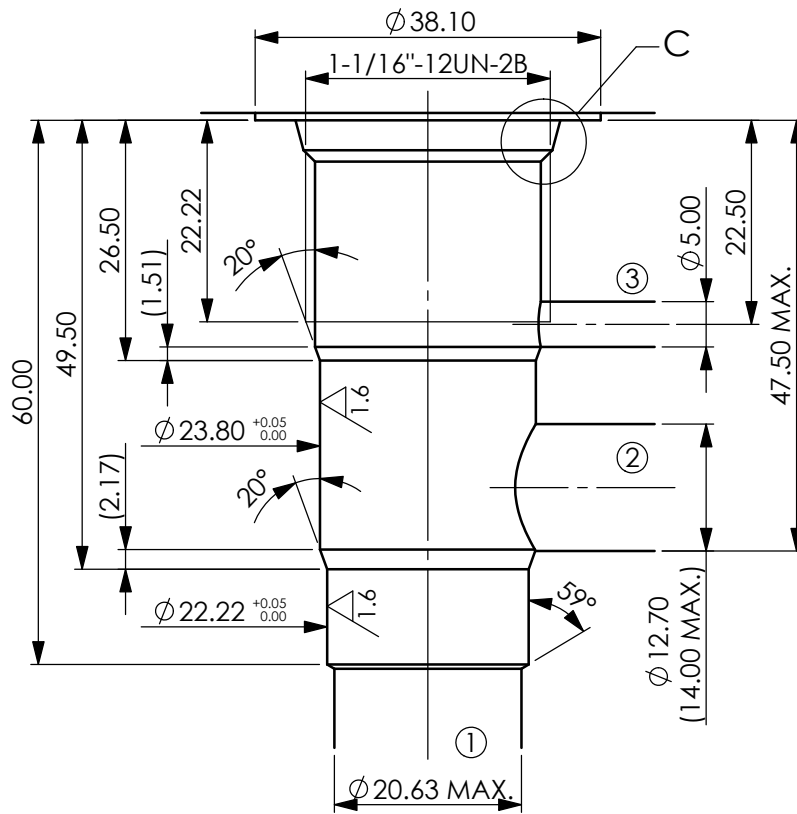


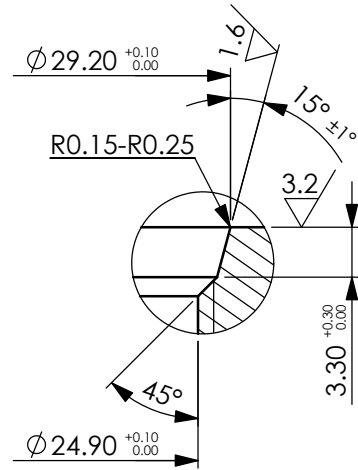
Cavity-Tooling: 12WC-3



0.03

0.02

THREAD AND ALL DIAMETERS



Detail view C

General tolerance: ±0.3
UNIT:mm