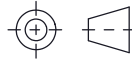
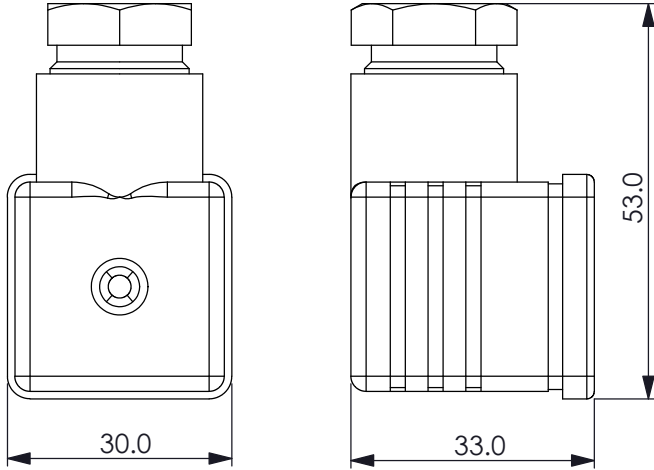


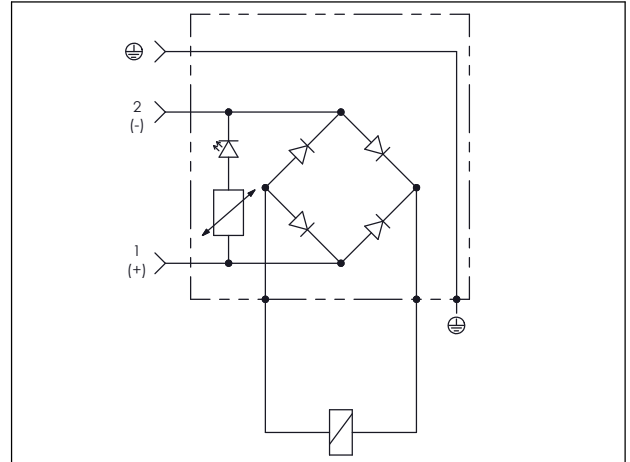
DIN 43650 CONNECTOR (CIRCUIT WITH FULL WAVE RECTIFIER)

Ordering Code: **ED-30-X-Y-Z**



Illustrations / detail are for reference only.
Data subject to change.

UNIT:mm



TECHNICAL DATA

Number of poles	2+Earth
Nominal current capacity	1.5A
Contact resistance	4mΩ
Max. wire section area	1.5mm ²
Cable gland thread PG 11	DIN40430
Tightening torque	3 - 4Nm
Cable diameter	6 - 8mm
Electrical insulation Class C	DIN VED 0110
Protection Class IP65	DIN 40050 part9

X	CIRCUIT	
R	Circuit with full wave Rectifier With LED.	

Z	VOLTAGE		
	VOLTAGE	INLET	RECTIFIED
A	220 RAC	220 VAC	196 VDC
	110 RAC	110 VAC	98 VDC
	24 RAC	24 VAC	21 VDC

Y	DIODE CURRENT CAPACITY	
01	1A	

· If you need a higher diode current capacity (A), please contact WINNER's sales department.