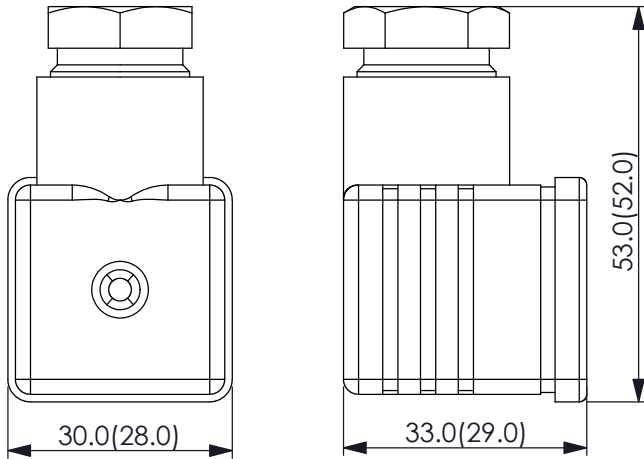
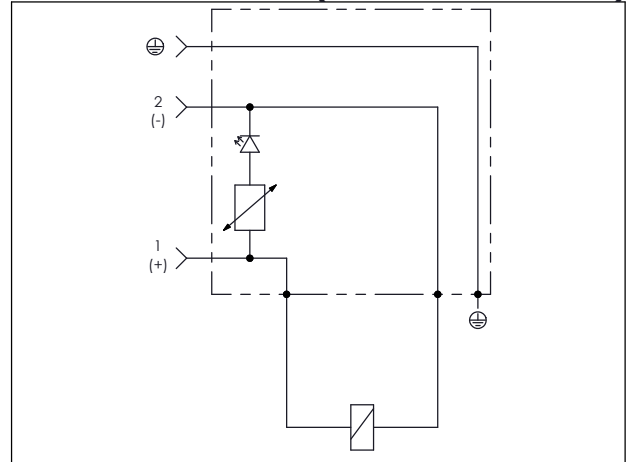


Ordering Code: **ED-30-X-10-Z**



Illustrations / detail are for reference only.
Data subject to change.

UNIT:mm



TECHNICAL DATA

Number of poles	2+Earth
Nominal current capacity	10A
Max. current capacity	16A
Contact resistance	4mΩ
Max. wire section area	1.5mm ²
Cable gland thread PG 11	DIN40430
Tightening torque	3 - 4 Nm
Cable diameter	6 - 8mm
Electrical insulation Class C	DIN VED 0110
Protection Class IP65	DIN 40050 part9

X CIRCUIT

D Standard Circuit with LED

Z VOLTAGE

D DC 24V

DC 12V