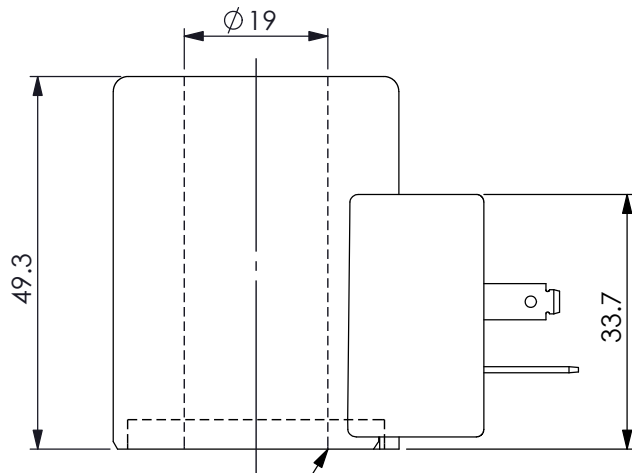
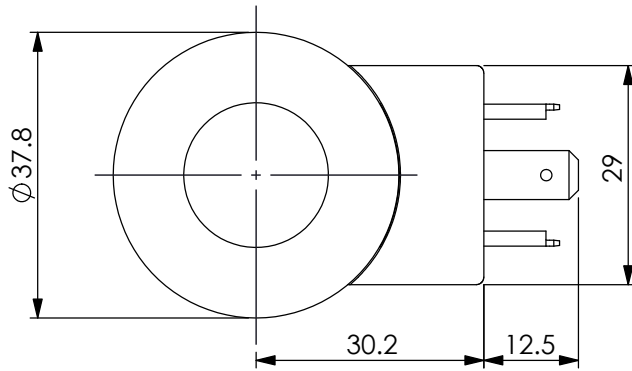


Ordering Code: **EC-19A-X-Y-Z-B**

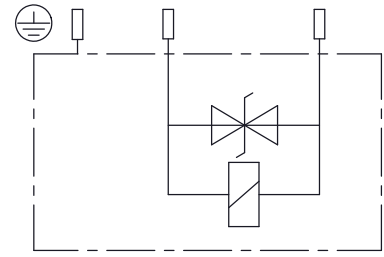


While installing, please be sure that this side is toward to the solenoid cartridge valve.

Illustrations / detail are for reference only. Data subject to change.

UNIT:mm

B Circuit with TVS Diodes



### TECHNICAL DATA

Weight: 0.24 kg

HEAT INSULATION CLASS H:  
356°F | (180°C)

Ambient temperature range:  
-22+140°F | (-30+60°C)

Available on request:  
Different Voltages -  
Different connectors.

Inlet voltage fluctuations must not exceed  $\pm 10\%$  of nominal voltage to obtain correct operation and long life of coils.

Recommend :  
For proportional valve application.  
Please use the coil without VDR

Connector Environment Rating: IP65

X	Nominal Power (W) (At rated voltage)	
220	22 Watt.	
*The nominal power (W) at maximum current with proportional control is 9 watt.		

Y	Connections	
H	Connessione A EN 175301-803 ISO 4400 (DIN 43650)	

Z	Voltage (V)	Resistance ( $\Omega$ )	Maximum Current (A) (Proportional Control)
	Nominal	20~25 °C	
E	12V DC	6.4 $\pm$ 8%	1150 mA
D	24V DC	26.2 $\pm$ 5%	590 mA