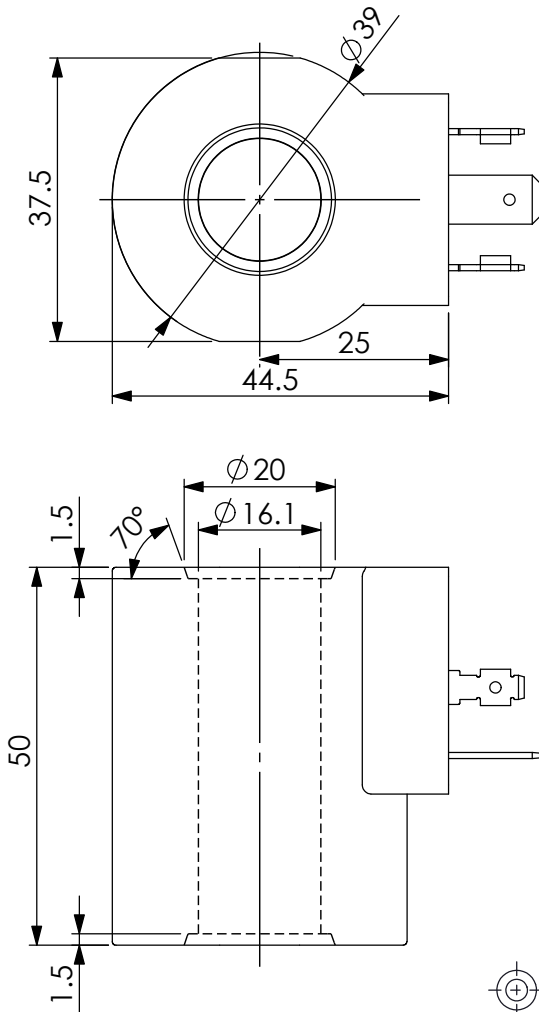


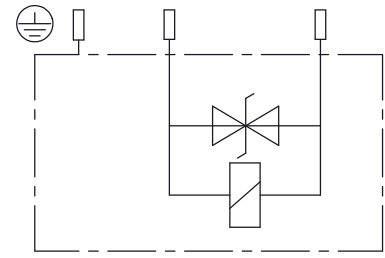
Ordering Code: **EC-16B-X-Y-Z-B**



UNIT:mm

Illustrations / detail are for reference only. Data subject to change.

B Circuit with TVS Diodes



### TECHNICAL DATA

Weight: 0.24 kg

HEAT INSULATION CLASS H:  
356°F (180°C)

Ambient temperature range:  
-22+140°F (-30+60°C)

Available on request:

Different Voltages -  
Different connectors.

Inlet voltage fluctuations must not exceed  $\pm 10\%$  of nominal voltage to obtain correct operation and long life of coils.

Recommend :  
For proportional valve application.  
Please use the coil without VDR

X	Power (W)
260	26 Watt.

Y	Connections
H	Connessione A EN 175301-803 ISO 4400 (DIN 43650)

Z	Voltage (V)	Resistance ( $\Omega$ )	Current (A)	
	Nominal		20~25 °C	Cold Coil
D	24V DC	21.0 $\pm$ 7%	1.10	0.75