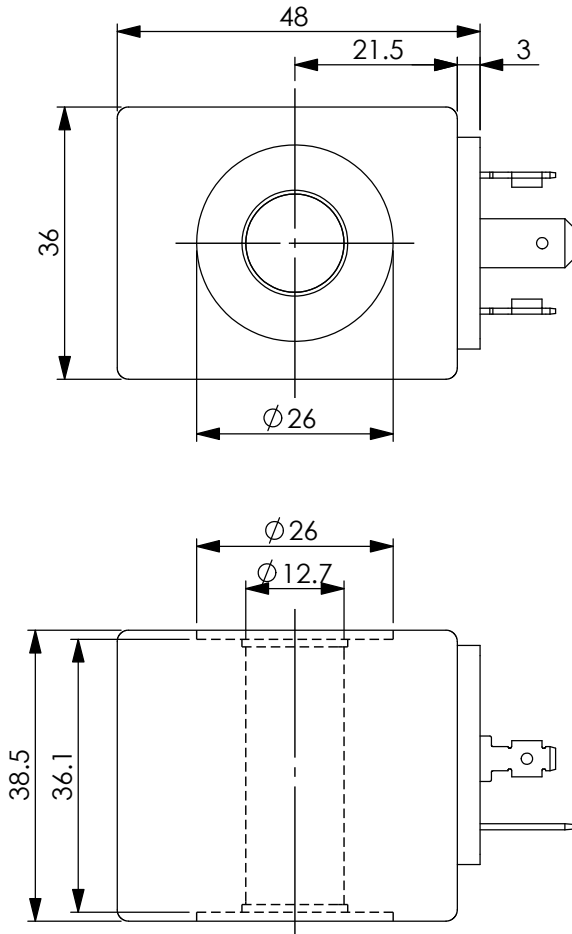




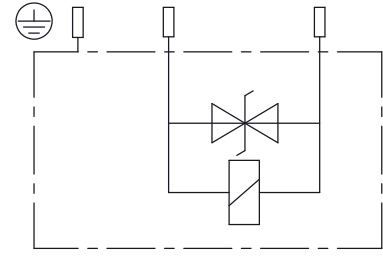
Ordering Code: **EC-04W-X-Y-Z-B**



UNIT:mm

 
Illustrations / detail are
for reference only.
Data subject to change.

B Circuit with TVS Diodes



TECHNICAL DATA

Weight: 0.22 kg

HEAT INSULATION CLASS H:

356°F | (180°C)

Ambient temperature range:

-22+140°F | (-30+60°C)

Available on request:

Different Voltages -
Different connectors.

Inlet voltage fluctuations must not
exceed $\pm 10\%$ of nominal voltage to
obtain correct operation and long
life of coils.

Recommend :

For proportional valve application.
Please use the coil without VDR

CE approved, UKCA approved

X	Power (W)	Y	Connections
200	20 Watt.	H	Connessione A EN 175301-803 ISO 4400 (DIN 43650)

Z	Voltage (V)	Resistance (Ω)	Current (A)	
	Nominal	20~25 °C	Cold Coil	Hot Coil
D	24V DC	28.6 \pm 7%	0.88	0.53
H	48V DC	110 \pm 7%	0.45	0.28