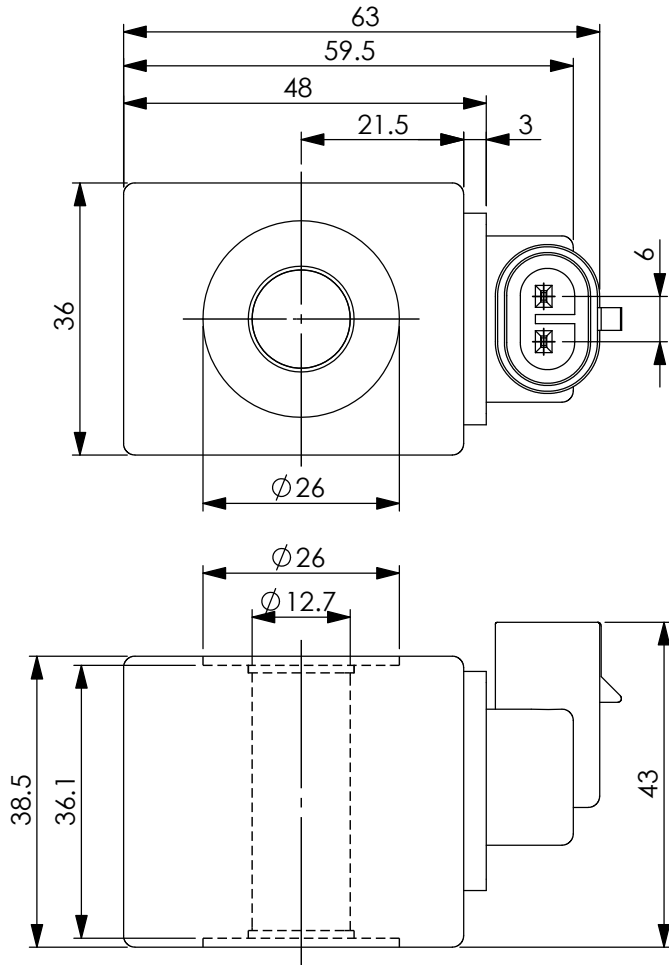
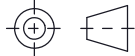


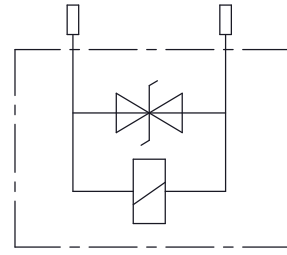
Ordering Code: **EC-04W-X-Y-Z-B**



UNIT:mm

  
Illustrations / detail are  
for reference only.  
Data subject to change.

B Circuit with TVS Diodes



### TECHNICAL DATA

Weight: 0.22 kg

HEAT INSULATION CLASS H:  
356°F | (180°C)

Ambient temperature range:  
-22+140°F | (-30+60°C)

Available on request:  
Different Voltages -  
Different connectors.

Inlet voltage fluctuations must not  
exceed  $\pm 10\%$  of nominal voltage to  
obtain correct operation and long  
life of coils.

Recommend :  
For proportional valve application.  
Please use the coil without VDR

**CE approved, UKCA approved**

X	Power (W)	Y	Connections
200	20 Watt.	K	AMP SUPERSEAL (V)

Z	Voltage (V)	Resistance ( $\Omega$ )	Current (A)	
	Nominal	20~25 °C	Cold Coil	Hot Coil
H	48V DC	110 $\pm$ 7%	0.45	0.28