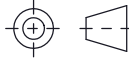
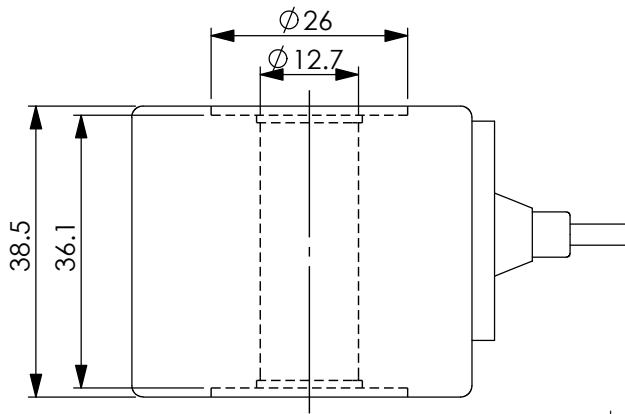
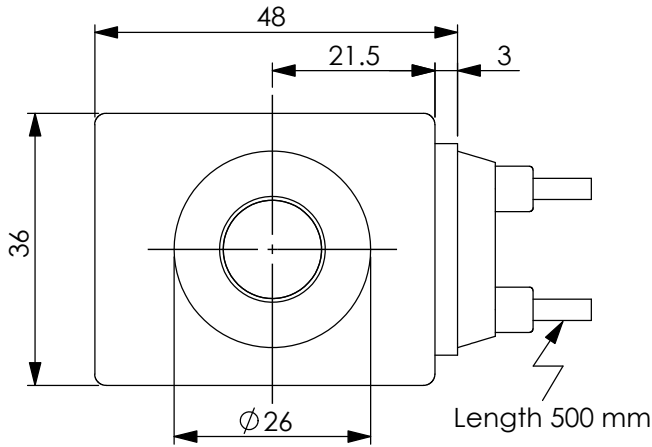


SOLENOID OPERATED VALVE Continuous Duty Coils-ED 100%

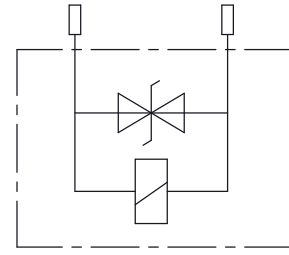
Ordering Code: **EC-04W-X-Y-Z-B**



Illustrations / detail are for reference only. Data subject to change.

UNIT:mm

B Circuit with TVS Diodes



TECHNICAL DATA

Weight: 0.22 kg

HEAT INSULATION CLASS H:
356°F | (180°C)

Ambient temperature range:
-22+140°F | (-30+60°C)

Available on request:
Different Voltages -
Different connectors.

Inlet voltage fluctuations must not exceed $\pm 10\%$ of nominal voltage to obtain correct operation and long life of coils.

Recommend :
For proportional valve application.
Please use the coil without VDR

CE approved, UKCA approved

X	Power (W)	Y	Connections
200	20 Watt.	C	DOUBLE LEAD (L)

Z	Voltage (V)	Resistance (Ω)	Current (A)	
	Nominal	20~25 °C	Cold Coil	Hot Coil
J	28V DC	39.2 \pm 7%	0.71	0.50
H	48V DC	110 \pm 7%	0.45	0.28