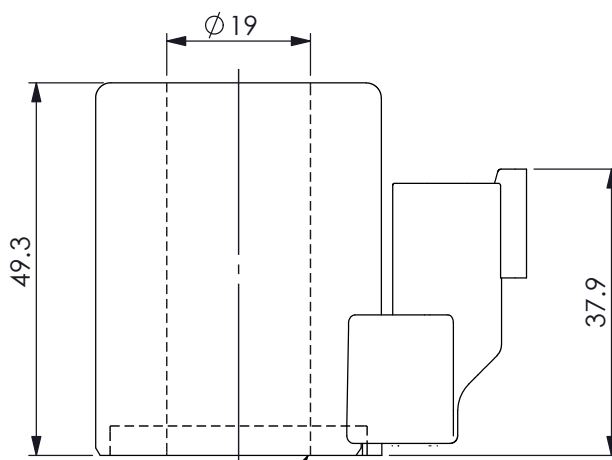
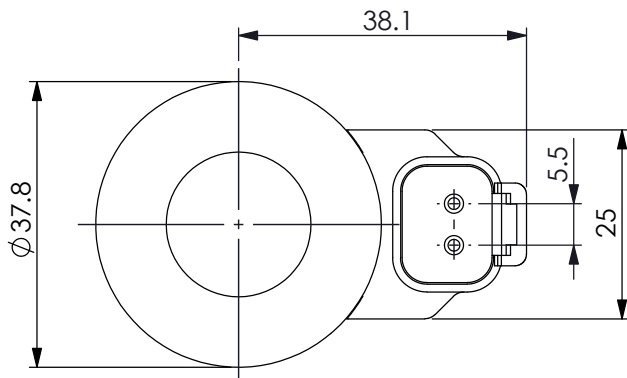
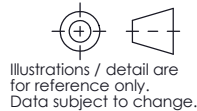


Ordering Code: **EC-19A-X-Y-Z**



While installing, please be sure that this side is toward to the solenoid cartridge valve.



UNIT:mm

TECHNICAL DATA

Weight: 0.23 kg

HEAT INSULATION CLASS H:
356°F | (180°C)

Ambient temperature range:
-22+140°F | (-30+60°C)

Available on request:
Different Voltages -
Different connectors.

Inlet voltage fluctuations must not exceed $\pm 10\%$ of nominal voltage to obtain correct operation and long life of coils.

Connector Environment Rating: IP69K

X	Nominal Power (W) (At rated voltage)
220	22 Watt.
*The nominal power (W) at maximum current with proportional control is 9 watt.	

Y	Connections
F	DEUTSCH DT04-2P (V)

Z	Voltage (V)	Resistance (Ω)	Maximum Current (A) (Proportional Control)
	Nominal	20~25 °C	
E	12V DC	6.4 \pm 8%	1150 mA
D	24V DC	26.2 \pm 5%	590 mA
J	28V DC	35.2 \pm 5%	500 mA