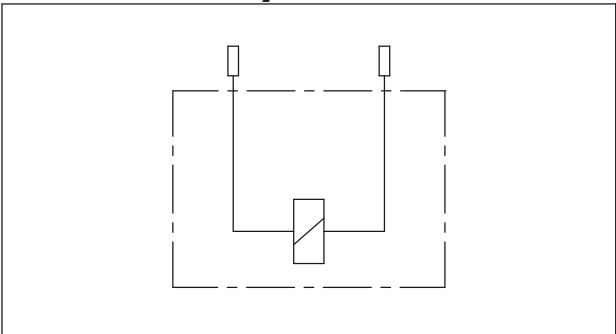
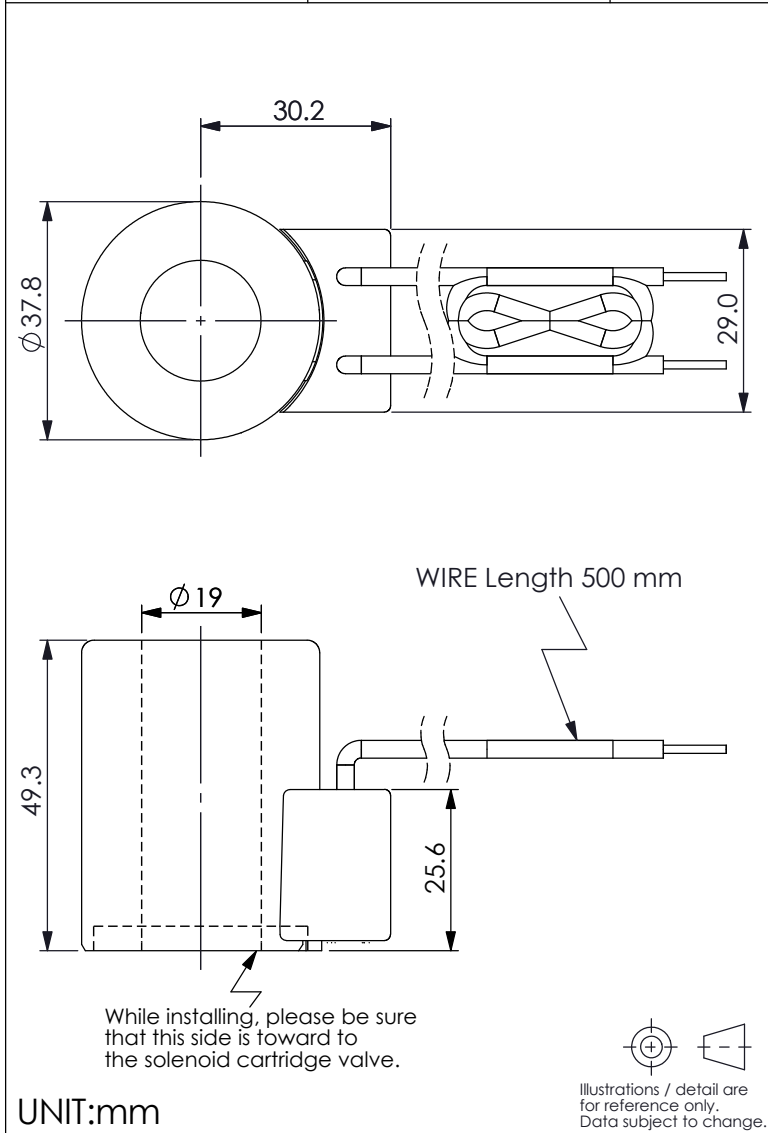


Ordering Code: **EC-19A-X-Y-Z**



TECHNICAL DATA	
Weight:	0.24 kg
HEAT INSULATION CLASS H:	
356°F	(180°C)
Ambient temperature range:	
-22+140°F	(-30+60°C)
Available on request: Different Voltages - Different connectors.	
Inlet voltage fluctuations must not exceed $\pm 10\%$ of nominal voltage to obtain correct operation and long life of coils.	
Connector Environment Rating: IP65	

X	Nominal Power (W) (At rated voltage)	
220	22 Watt.	
*The nominal power (W) at maximum current with proportional control is 9 watt.		

Y	Connections	
D	DOUBLE LEAD (V)	

Z	Voltage (V)	Resistance (Ω)	Maximum Current (A) (Proportional Control)
	Nominal	20~25 °C	
E	12V DC	6.4±8%	1150 mA
D	24V DC	26.2±5%	590 mA