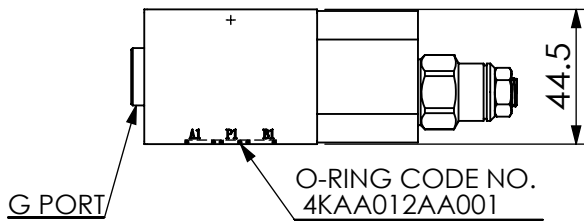
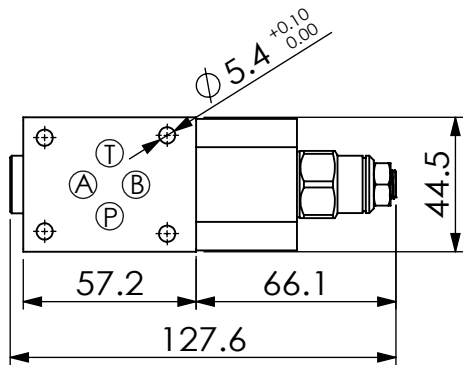
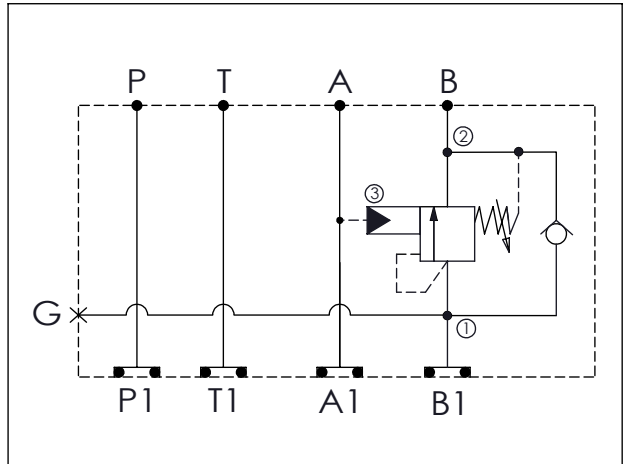


## ISO 03 SANDWICH MANIFOLD

Ordering Code: **MH03CBW-X-Y-Z 01**  
 Stack Height : 44.5mm



UNIT:mm



### TECHNICAL DATA

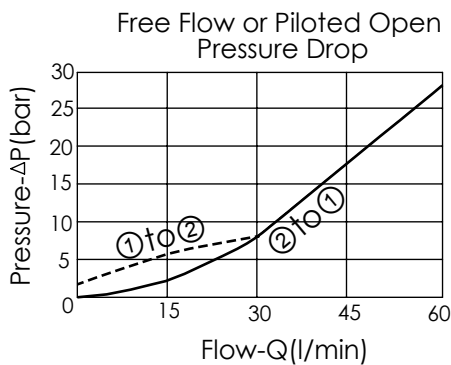
Aluminum Body Pressure Rating: 210 bar  
 Ductile Iron  
 Body Pressure Rating: 350 bar

Rated flow: 40 l/min

Cartridge Valve:  
 Refer to CB11A-X-Y-Z  
 \* Refer to Winner Cartridge Valve Catalog.

Aluminum	0.4 kg(WITHOUT VALVE) 0.6 kg(INCLUDE VALVE)
Ductile Iron	1.1 kg(WITHOUT VALVE) 1.3 kg(INCLUDE VALVE)

\* If you need the special specification.  
 Please contact us.



### X SELECTION FOR G PORT

<b>G02</b>	G 1/4"(Metric)	
<b>N02</b>	NPT 1/4"(U.S. Units)	

### Y SELECTION FOR B PORT CONTROL

<b>11A3</b>	CAVITY ONLY(WITHOUT VALVE)
<b>CB3H</b>	CB11A33HL (3:1 , 280bar)
<b>CB4J</b>	CB11A34JL (4.5:1 , 350bar)
<b>CB0J</b>	CB11A30JL (10:1 , 350bar)

### Z BODY MATERIAL

<b>A</b>	HIGH-STRENGTH ALUMINUM	
<b>S</b>	DUCTILE IRON(Phosphatizing)	
<b>E</b>	DUCTILE IRON(Zinc-Nickel plating)	

Please refer to the list price of cartridge program.