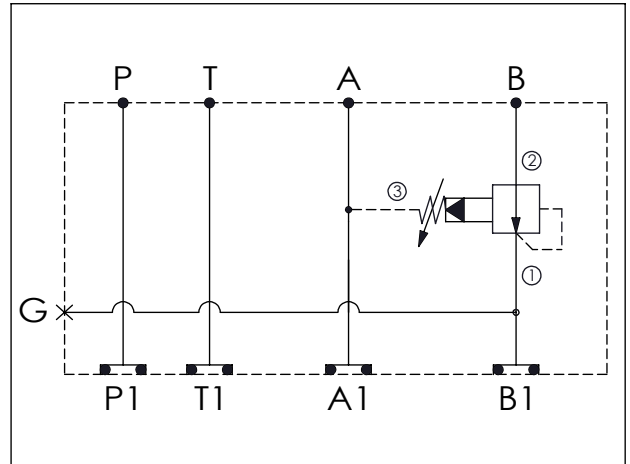


ISO 03 SANDWICH MANIFOLD

Ordering Code: **MH03CBW-X-Y-Z 01**

Stack Height : 44.5mm

UNIT:mm



TECHNICAL DATA

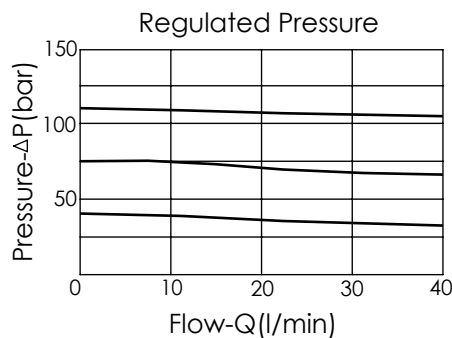
Aluminum Body Pressure Rating: 210 bar
 Ductile Iron
 Body Pressure Rating: 350 bar

Rated flow: 40 l/min

Cartridge Valve:
 Refer to PB11A-X-Y-Z
 * Refer to Winner Cartridge Valve Catalog.

Aluminum	0.4	kg(WITHOUT VALVE)
	0.6	kg(INCLUDE VALVE)
Ductile Iron	1.1	kg(WITHOUT VALVE)
	1.3	kg(INCLUDE VALVE)

* If you need the special specification.
 Please contact us.



X SELECTION FOR G PORT

G02	G 1/4"(Metric)
N02	NPT 1/4"(U.S. Units)

Y SELECTION FOR B PORT CONTROL

11A3	CAVITY ONLY(WITHOUT VALVE)
PB0A	PB11A30AL (40LPM , 7-210bar)

Z BODY MATERIAL

A	HIGH-STRENGTH ALUMINUM
S	DUCTILE IRON(Phosphatizing)
E	DUCTILE IRON(Zinc-Nickel plating)

Please refer to the list price of cartridge program.