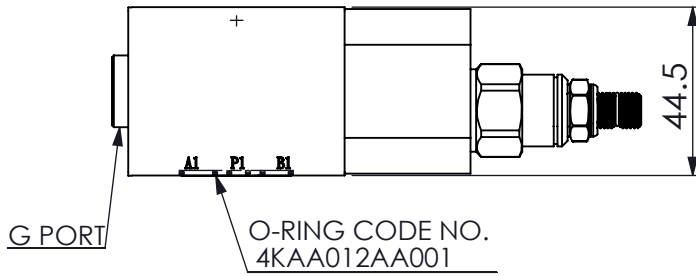
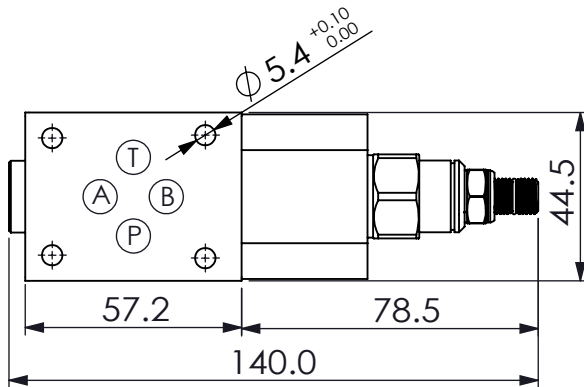
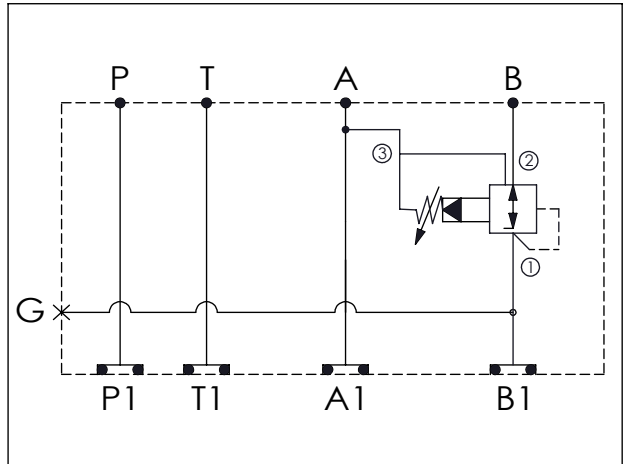


ISO 03 SANDWICH MANIFOLD

Ordering Code: **MH03CBW-X-Y-Z 01**
 Stack Height : 44.5mm



UNIT:mm



TECHNICAL DATA

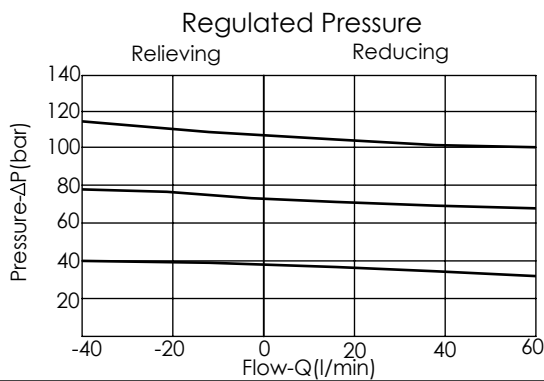
Aluminum Body Pressure Rating: 210 bar
 Ductile Iron
 Body Pressure Rating: 350 bar

Rated flow: 40 l/min

Cartridge Valve:
 Refer to PP11A-X-Y-Z
 * Refer to Winner Cartridge Valve Catalog.

Aluminum	0.4	kg(WITHOUT VALVE)
	0.6	kg(INCLUDE VALVE)
Ductile Iron	1.1	kg(WITHOUT VALVE)
	1.3	kg(INCLUDE VALVE)

* If you need the special specification.
 Please contact us.



X

SELECTION FOR G PORT

G02	G 1/4"(Metric)	
N02	NPT 1/4"(U.S. Units)	

Y

SELECTION FOR B PORT CONTROL

11A3	CAVITY ONLY(WITHOUT VALVE)
PP0A	PP11A30AL(40LPM,7.0~210bar) (Pilot Operated Reducing/Relieving)

Please refer to the list price of cartridge program.

Z

BODY MATERIAL

A	HIGH-STRENGTH ALUMINUM
S	DUCTILE IRON(Phosphatizing)
E	DUCTILE IRON(Zinc-Nickel plating)