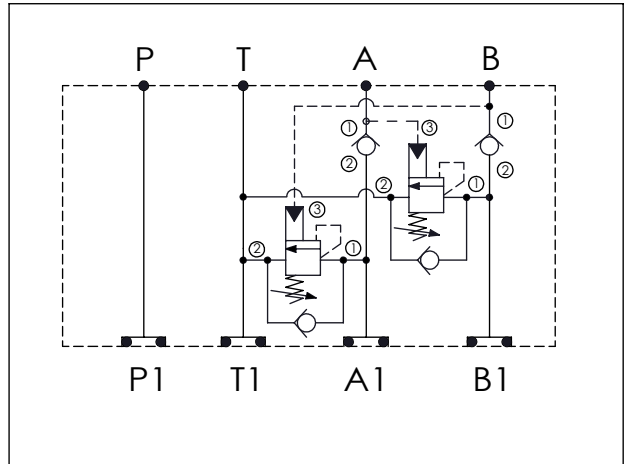
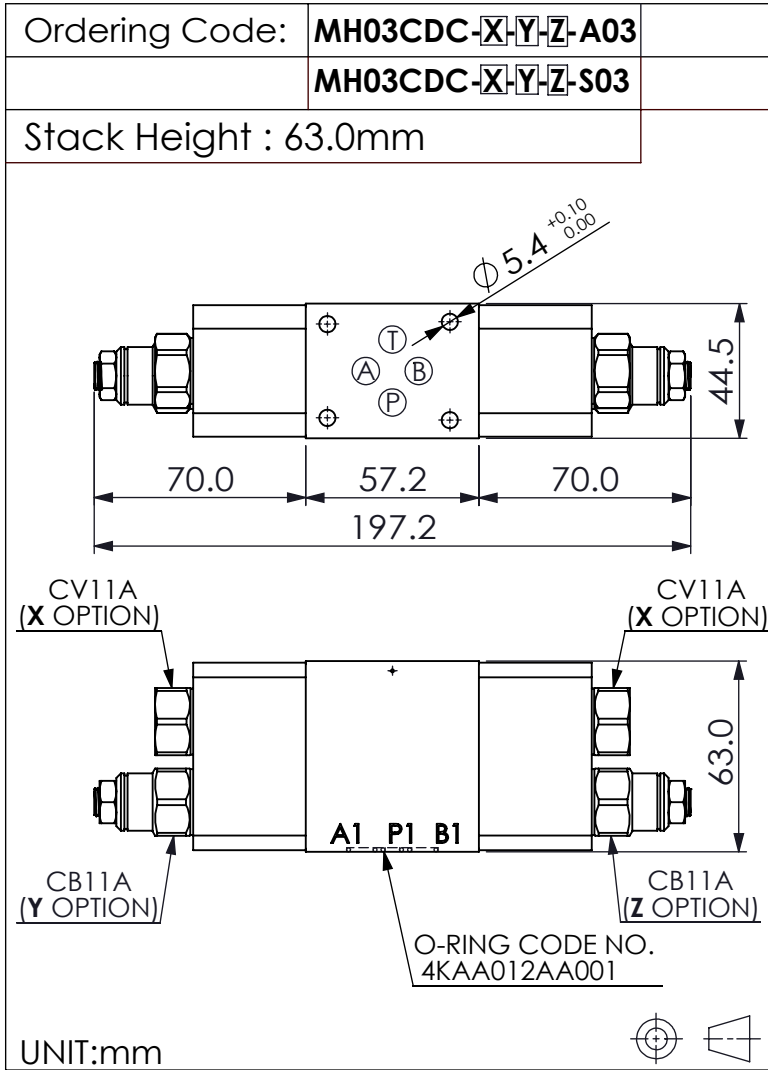


## ISO 03 SANDWICH MANIFOLD



### TECHNICAL DATA

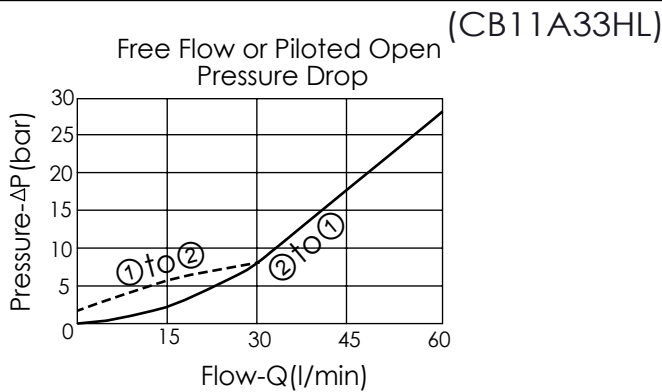
Aluminum (A03)	Body Pressure Rating:	210 bar
Ductile Iron (S03)	Body Pressure Rating:	350 bar
	Rated flow:	40 l/min

Cartridge Valve:  
Refer to CV11A-X-Y-Z  
CB11A-X-Y-Z

\* Refer to Winner Cartridge Valves Catalog.

Aluminum	0.75 kg (WITHOUT VALVES) 1.35 kg (INCLUDE VALVES)
Ductile Iron	2.14 kg (WITHOUT VALVES) 2.74 kg (INCLUDE VALVES)

\* If you need the special specification.  
Please contact us.



<b>X</b>	<b>SELECTION FOR CHECK VALVE</b>
<b>CV2020</b>	CV11A2020N (80LPM, 2.0bar) x2 PCS (STANDARD)
<b>CV2003</b>	CV11A2003N (80LPM, 0.3bar) x2 PCS (Anti-cavitation available)
<b>11A3</b>	CAVITY ONLY (WITHOUT VALVE)
Please refer to the list price of cartridge program.	

<b>Y</b>	<b>SELECTION FOR A PORT CONTROL</b>
<b>11A3</b>	CAVITY ONLY (WITHOUT VALVE)
<b>CB3H</b>	CB11A33HL (60LPM, 70-280bar) x1 PC

Please refer to the list price of cartridge program.

<b>Z</b>	<b>SELECTION FOR B PORT CONTROL</b>
<b>11A3</b>	CAVITY ONLY (WITHOUT VALVE)
<b>CB3H</b>	CB11A33HL (60LPM, 70-280bar) x1 PC

Please refer to the list price of cartridge program.