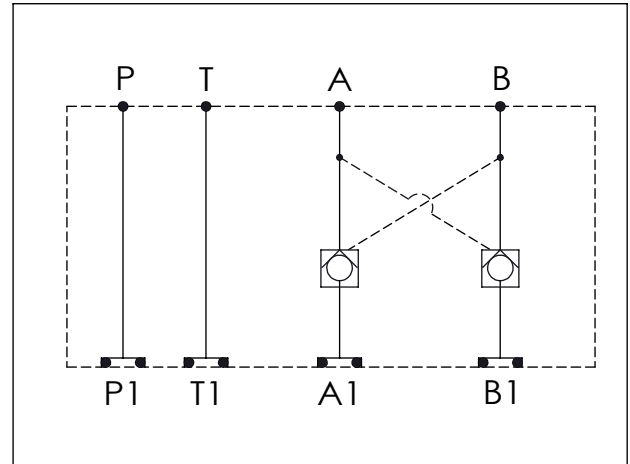
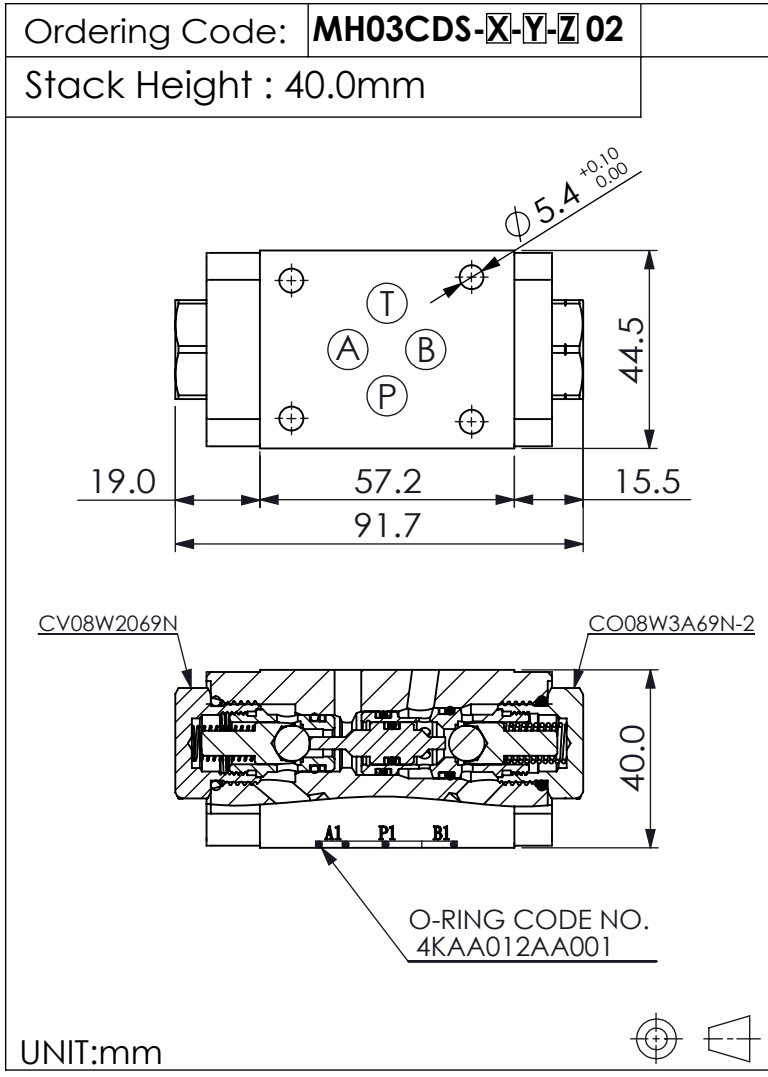


## ISO 03 SANDWICH MANIFOLD



### TECHNICAL DATA

Aluminum Body Pressure Rating: 210 bar

Ductile Iron

Body Pressure Rating: 350 bar

Rated flow: 30 l/min

Cartridge Valve:

Refer to CV08W-X-Y-Z

CO08W-X-Y-Z

\* Refer to Winner Cartridge Valves Catalog.

Aluminum	0.32 kg(WITHOUT VALVES)
	0.47 kg(INCLUDE VALVES)

\* If you need the special specification.  
Please contact us.

<b>X</b>	<b>SELECTION FOR A PORT CONTROL</b>
<b>08W2</b>	CAVITY ONLY(WITHOUT VALVE)
<b>CV2069</b>	CV08W2069N ( 30LPM,6.9bar)
Please refer to the list price of cartridge program.	

<b>Y</b>	<b>SELECTION FOR B PORT CONTROL</b>
<b>08W3</b>	CAVITY ONLY(WITHOUT VALVE)
<b>CO3A69</b>	CO08W3A69N-2 (30LPM,6.9bar)
Please refer to the list price of cartridge program.	

<b>Z</b>	<b>BODY MATERIAL</b>
<b>A</b>	<b>HIGH-STRENGTH ALUMINUM</b>