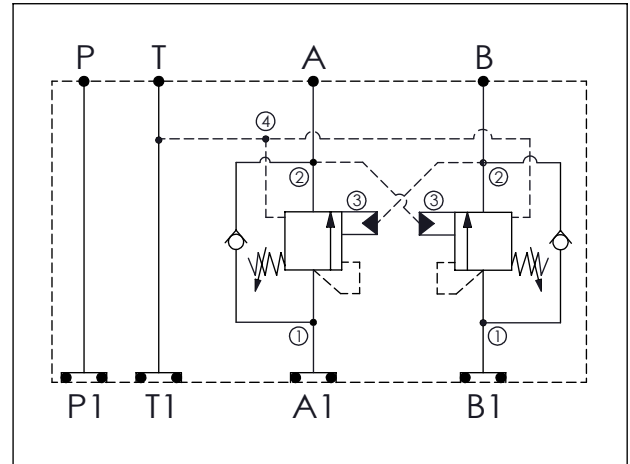
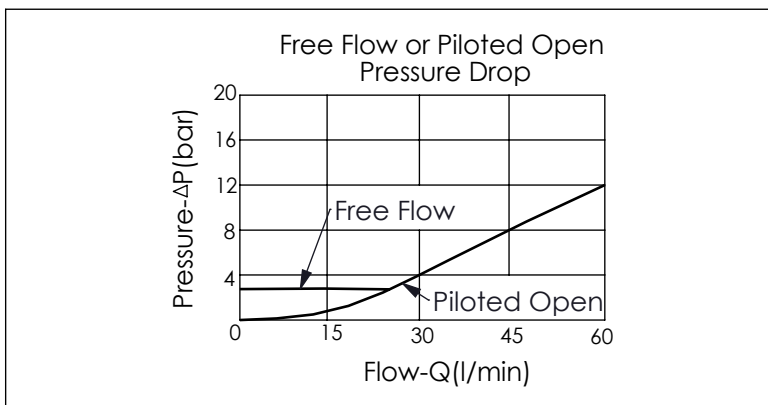


Ordering Code:	MH03CDT-X-Y-Z01
Stack Height :	44.5mm

UNIT:mm



TECHNICAL DATA	
Aluminum Body Pressure Rating:	210 bar
Ductile Iron Body Pressure Rating:	350 bar
Rated flow:	40 l/min
Cartridge Valve: Refer to CW21A-X-Y-Z * Refer to Winner Cartridge Valve Catalog.	
Aluminum	0.6 kg(WITHOUT VALVES) 1.0 kg(INCLUDE VALVES)
Ductile Iron	1.7 kg(WITHOUT VALVES) 2.1 kg(INCLUDE VALVES)
* If you need the special specification. Please contact us.	



X	SELECTION FOR A PORT CONTROL
21A4	CAVITY ONLY(WITHOUT VALVE)
CWAI	CW21A4AIL (1:1 , 105bar)
CWBF	CW21A4BFL (2:1 , 175bar)
CWCH	CW21A4CHL (3:1 , 280bar)
CWEF	CW21A4EFL (5:1 , 175bar)
Please refer to the list price of cartridge program.	

Y	SELECTION FOR B PORT CONTROL
21A4	CAVITY ONLY(WITHOUT VALVE)
CWAI	CW21A4AIL (1:1 , 105bar)
CWBF	CW21A4BFL (2:1 , 175bar)
CWCH	CW21A4CHL (3:1 , 280bar)
CWEF	CW21A4EFL (5:1 , 175bar)
Please refer to the list price of cartridge program.	

Z	BODY MATERIAL
A	HIGH-STRENGTH ALUMINUM
S	DUCTILE IRON