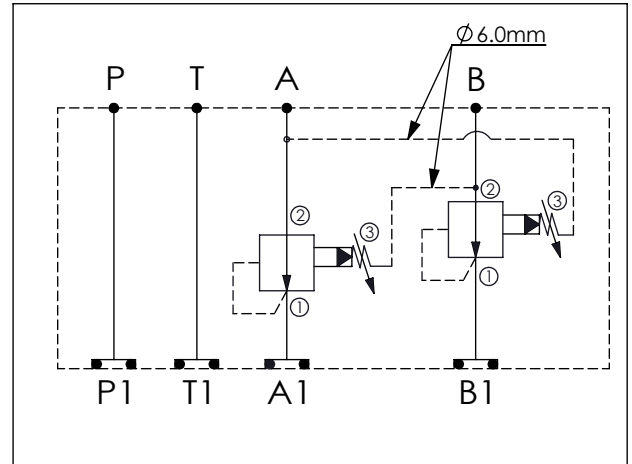


ISO 03 SANDWICH MANIFOLD

Ordering Code: **MH03CDW-X-Y-Z 01**

Stack Height : 44.5mm

UNIT:mm



TECHNICAL DATA

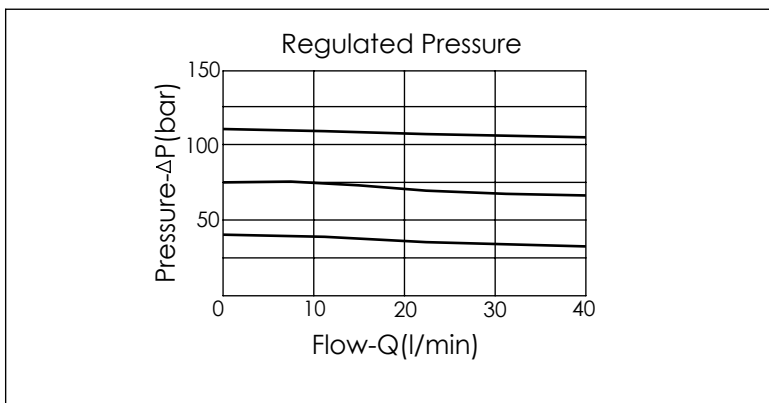
Aluminum Body Pressure Rating: 210 bar
 Ductile Iron Body Pressure Rating: 350 bar

Rated flow: 40 l/min

Cartridge Valve:
 Refer to PB11A-X-Y-Z
 * Refer to Winner Cartridge Valves Catalog.

Aluminum	0.5 kg(WITHOUT VALVES) 0.85 kg(INCLUDE VALVES)
Ductile Iron	1.3 kg(WITHOUT VALVES) 1.65 kg(INCLUDE VALVES)

* If you need the special specification.
 Please contact us.



X	SELECTION FOR A PORT CONTROL
11A3	CAVITY ONLY(WITHOUT VALVE)
PBOA	PB11A30AL (40LPM ,7-210bar)
Please refer to the list price of cartridge program.	

Y	SELECTION FOR B PORT CONTROL
11A3	CAVITY ONLY(WITHOUT VALVE)
PBOA	PB11A30AL (40LPM , 7-210bar)
Please refer to the list price of cartridge program.	

Z	BODY MATERIAL
A	HIGH-STRENGTH ALUMINUM
S	DUCTILE IRON(Phosphatizing)
E	DUCTILE IRON(Zinc-Nickel plating)