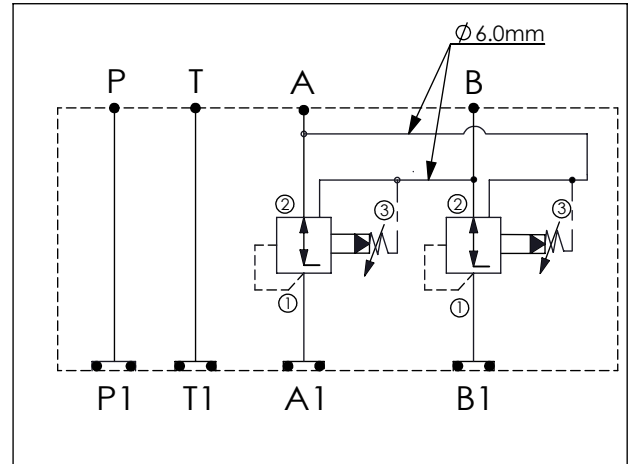


ISO 03 SANDWICH MANIFOLD

Ordering Code: **MH03CDW-X-Y-Z 01**

Stack Height : 44.5mm

UNIT:mm



TECHNICAL DATA

Aluminum Body Pressure Rating: 210 bar

Ductile Iron

Body Pressure Rating: 350 bar

Rated flow: 40 l/min

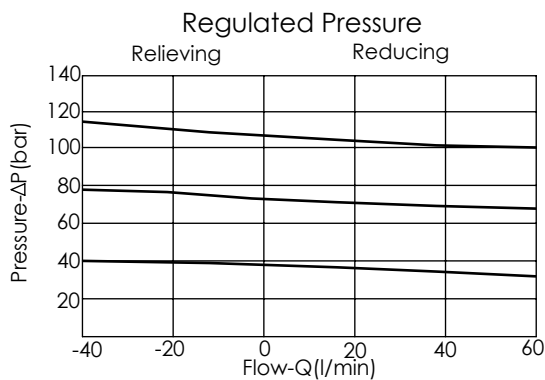
Cartridge Valve:

Refer to PP11A-X-Y-Z

* Refer to Winner Cartridge Valves Catalog.

Aluminum	0.5 kg(WITHOUT VALVES)
	0.85 kg(INCLUDE VALVES)
Ductile Iron	1.3 kg(WITHOUT VALVES)
	1.65 kg(INCLUDE VALVES)

* If you need the special specification. Please contact us.



X SELECTION FOR A PORT CONTROL

11A3	CAVITY ONLY(WITHOUT VALVE)
PPOA	PP11A30AL(40LPM,7.0~210bar) (Pilot Operated Reducing/Relieving)

Please refer to the list price of cartridge program.

Y SELECTION FOR B PORT CONTROL

11A3	CAVITY ONLY(WITHOUT VALVE)
PPOA	PP11A30AL(40LPM,7.0~210bar) (Pilot Operated Reducing/Relieving)

Please refer to the list price of cartridge program.

Z BODY MATERIAL

A	HIGH-STRENGTH ALUMINUM
S	DUCTILE IRON(Phosphatizing)
E	DUCTILE IRON(Zinc-Nickel plating)