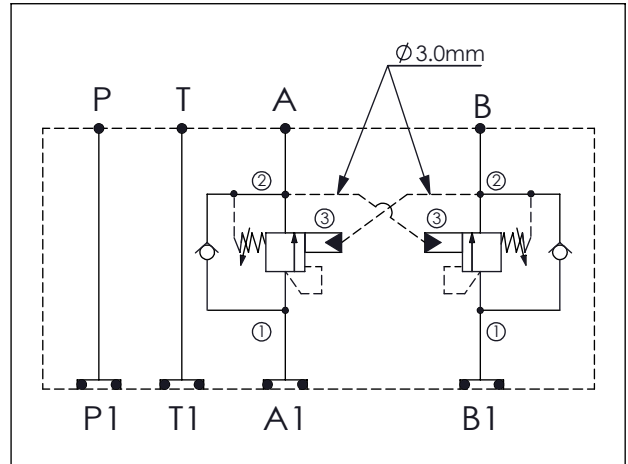


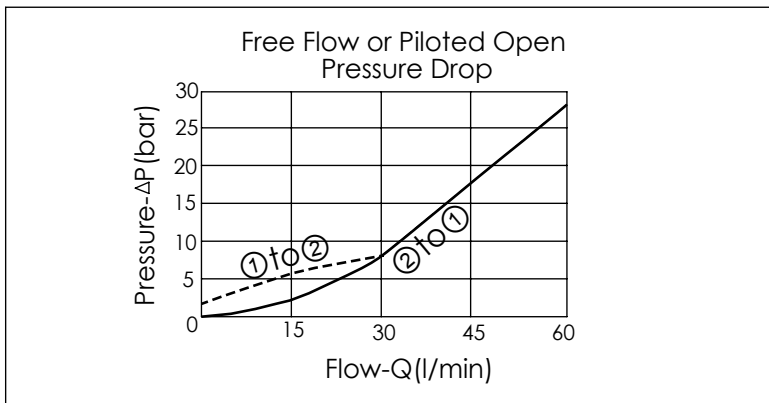
Ordering Code: **MH03CDW-X-Y-Z 02**

Stack Height : 40.0mm

UNIT:mm



TECHNICAL DATA	
Aluminum Body Pressure Rating:	210 bar
Ductile Iron Body Pressure Rating:	350 bar
Rated flow:	40 l/min
Cartridge Valve:	Refer to CB11A-X-Y-Z
	* Refer to Winner Cartridge Valves Catalog.
Aluminum	0.45 kg(WITHOUT VALVES) 0.85 kg(INCLUDE VALVES)
Ductile Iron	1.3 kg(WITHOUT VALVES) 1.7 kg(INCLUDE VALVES)
* If you need the special specification. Please contact us.	



X	SELECTION FOR A PORT CONTROL
11A3	CAVITY ONLY(WITHOUT VALVE)
CB3H	CB11A33HL (3:1 , 280bar)
CB4J	CB11A34JL (4.5:1 , 350bar)
CB0J	CB11A30JL (10:1 , 350bar)
Please refer to the list price of cartridge program.	

Y	SELECTION FOR B PORT CONTROL
11A3	CAVITY ONLY(WITHOUT VALVE)
CB3H	CB11A33HL (3:1 , 280bar)
CB4J	CB11A34JL (4.5:1 , 350bar)
CB0J	CB11A30JL (10:1 , 350bar)
Please refer to the list price of cartridge program.	

Z	BODY MATERIAL
A	HIGH-STRENGTH ALUMINUM
S	DUCTILE IRON(Phosphatizing)
E	DUCTILE IRON(Zinc-Nickel plating)