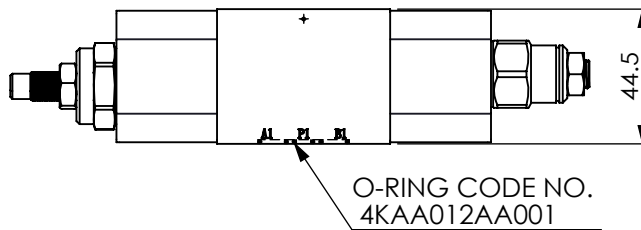
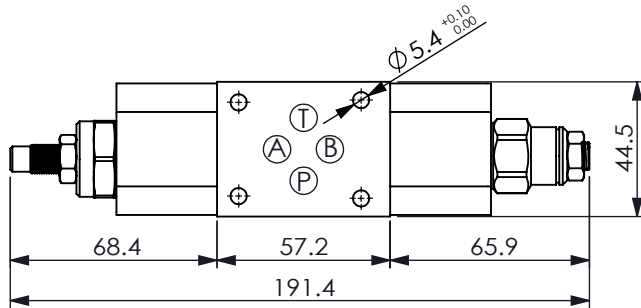
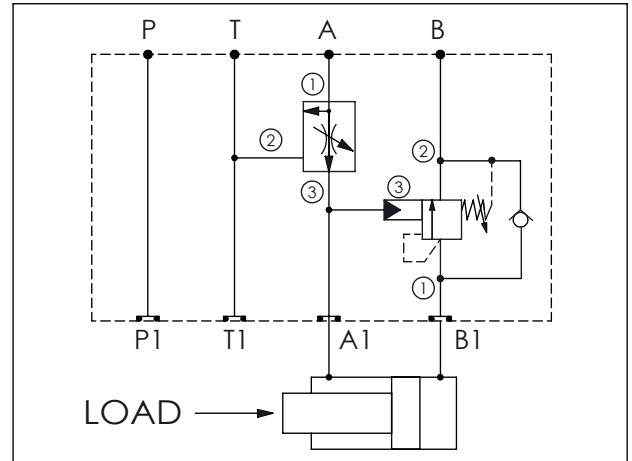
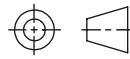


Ordering Code: **MH03CFW-X-Y-Z01**
 Stack Height : 44.5mm



UNIT:mm



TECHNICAL DATA

Aluminum Body Pressure Rating: 210 bar
 Ductile Iron
 Body Pressure Rating: 350 bar

Rated flow: 40 l/min

Cartridge Valve:
 Refer to FR10W-X-Y-Z
 CB11A-X-Y-Z
 * Refer to Winner Cartridge Valves Catalog.

Aluminum	0.5 kg (WITHOUT VALVES) 0.8 kg (INCLUDE VALVES)
----------	--

* If you need the special specification. Please contact us.

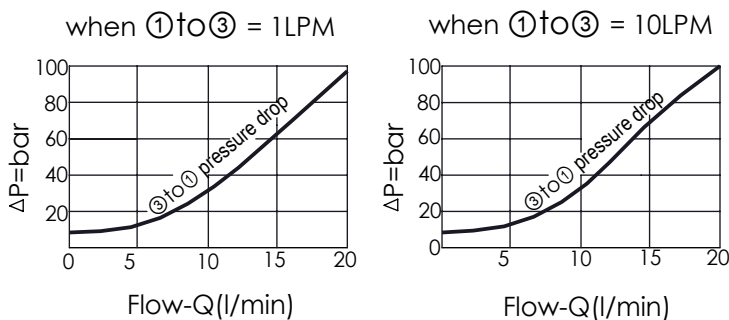
Y	SELECTION FOR B PORT CONTROL
11A3	CAVITY ONLY (WITHOUT VALVE)
CB3H	CB11A33HL (3:1 , 280bar)
CB4J	CB11A34JL (4.5:1 , 350bar)
CB0J	CB11A30JL (10:1 , 350bar)

Please refer to the list price of cartridge program.

X	SELECTION FOR A PORT CONTROL
10W3	CAVITY ONLY (WITHOUT VALVE)
FR3L	FR10W33NL (38LPM, 240bar)

Z	BODY MATERIAL
A	HIGH-STRENGTH ALUMINUM

Ordering Code: **FR10W33NL**



Ordering Code: **CB11A33HL**

