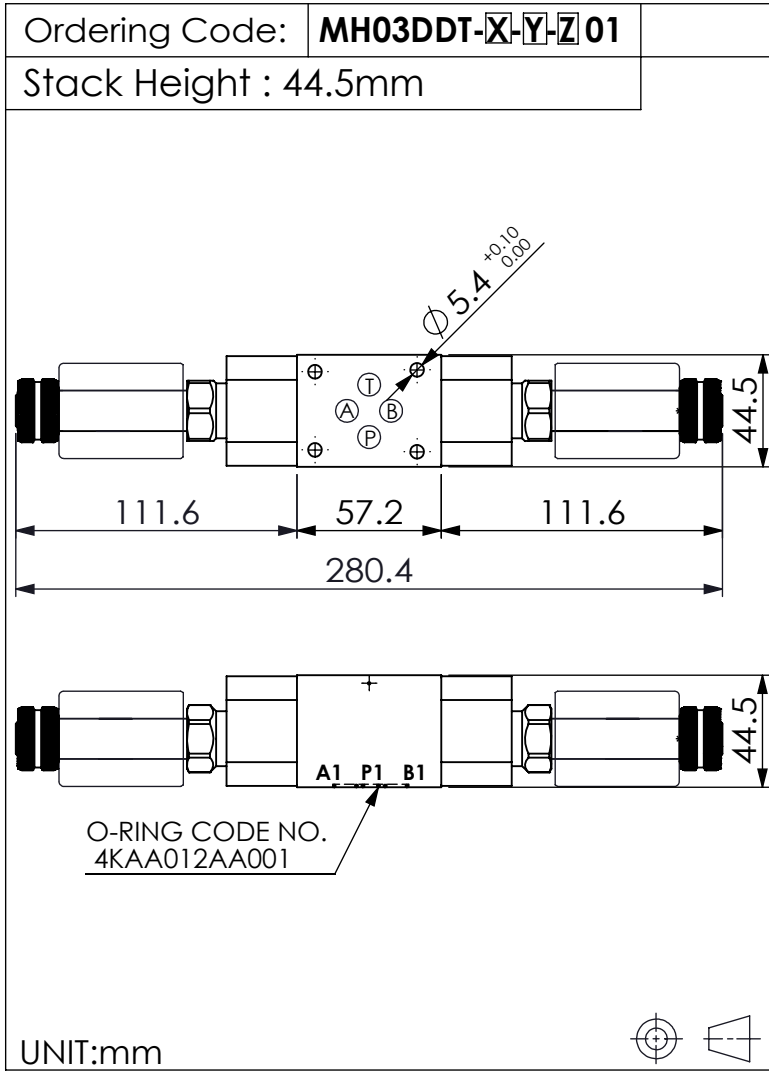
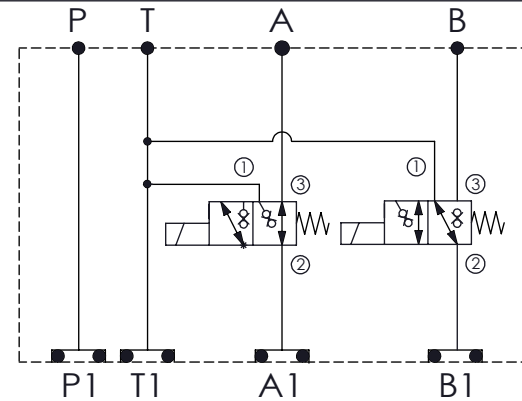


## ISO 03 SANDWICH MANIFOLD



Example : MH03DDT-EP54N04-EP53N04-A01



### TECHNICAL DATA

Aluminum Body Pressure Rating: 210 bar  
 Ductile Iron  
 Body Pressure Rating: 350 bar

Rated flow: 30 l/min

Cartridge Valve:  
 Refer to EP11A-X-Y-Z  
 \* Refer to Winner Cartridge Valves Catalog.

Aluminum	0.45 kg(WITHOUT VALVE)
	0.92 kg(INCLUDE VALVE ,WITHOUT COIL)

\* If you need the special specification.  
 Please contact us.



Y	SELECTION FOR B PORT CONTROL (REFER TO EP11A-X-Y-Z)
<b>11A3</b>	CAVITY ONLY(WITHOUT VALVE)
<b>CP23</b>	CP11A3H23TN(M20 x P1.5-6H , PORTS 2 AND 3 OPEN)
<b>EP53N04</b>	EP11A3C53N04,30LPM,350bar(WITHOUT COIL)
<b>EP54N04</b>	EP11A3C54N04,30LPM,350bar(WITHOUT COIL)
COIL MUST BE ORDERED SEPARATELY (REFER TO EC-16B-X-Y-Z)	

X	SELECTION FOR A PORT CONTROL (REFER TO EP11A-X-Y-Z)
<b>11A3</b>	CAVITY ONLY(WITHOUT VALVE)
<b>CP23</b>	CP11A3H23TN(M20 x P1.5-6H , PORTS 2 AND 3 OPEN)
<b>EP53N04</b>	EP11A3C53N04,30LPM,350bar(WITHOUT COIL)
<b>EP54N04</b>	EP11A3C54N04,30LPM,350bar(WITHOUT COIL)

COIL MUST BE ORDERED SEPARATELY  
(REFER TO EC-16B-X-Y-Z)

Z	BODY MATERIAL
<b>A</b>	HIGH-STRENGTH ALUMINUM

If there are requirements for other materials or surface treatments, please contact the Winner sales department.