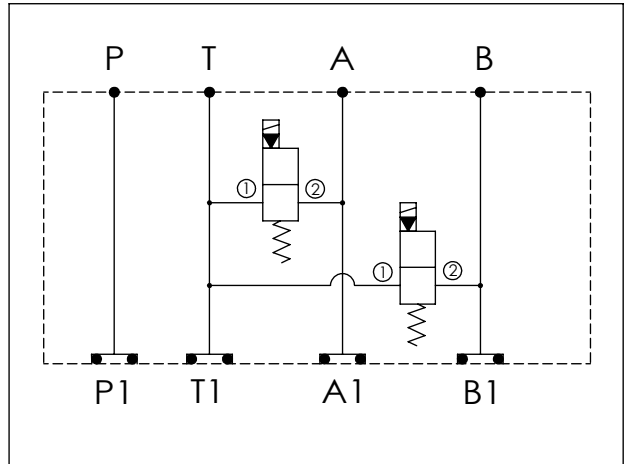


Ordering Code: **MH03EDT-X-Y-Z01**

Stack Height : 44.5mm

UNIT:mm



### TECHNICAL DATA

Aluminum Body Pressure Rating: 210 bar

Ductile Iron

Body Pressure Rating: 350 bar

Rated flow: 40 l/min

Cartridge Valve:

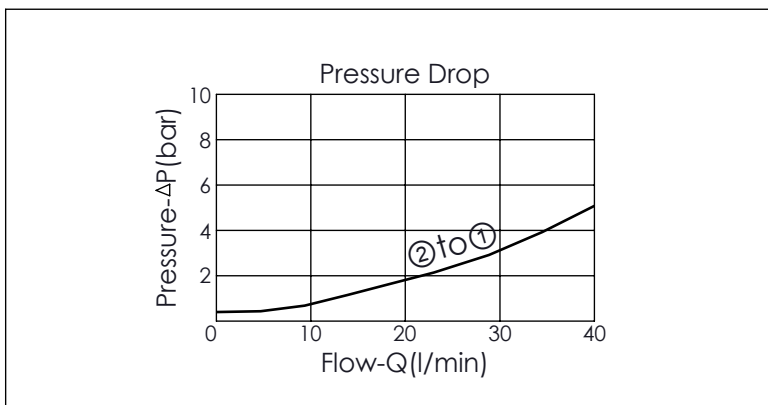
Refer to EP08W-X-Y-Z

EP08W-X-Y-Z

\* Refer to Winner Cartridge Valves Catalog.

Aluminum	0.33 kg(WITHOUT VALVES) 0.6 kg(INCLUDE VALVES ,WITHOUT COIL)
Ductile Iron	0.94 kg(WITHOUT VALVES) 1.2 kg(INCLUDE VALVES ,WITHOUT COIL)

\* If you need the special specification.  
Please contact us.



Y	SELECTION FOR B PORT CONTROL (REFER TO EP08W-X-Y-Z)
<b>08W2</b>	CAVITY ONLY(WITHOUT VALVE)
<b>EP01</b>	EP08W2A01N05 , 40LPM,350bar (NORMALLY CLOSED,WITHOUT COIL)
<b>EP02</b>	EP08W2A02N05 , 40LPM,350bar (NORMALLY OPEN,WITHOUT COIL)
<b>EP01M</b>	EP08W2A01M05 , 40LPM,350bar(NORMALLY CLOSED WITH KNOB STYLE MANUAL OVERRIDE,WITHOUT COIL)
<b>EP02P</b>	EP08W2A02P05 , 40LPM,350bar(NORMALLY OPEN WITH PUSH STYLE MANUAL OVERRIDE,WITHOUT COIL)

COIL MUST BE ORDERED SEPARATELY  
(REFER TO EC-04W-X-Y-Z)

X	SELECTION FOR A PORT CONTROL (REFER TO EP08W-X-Y-Z)
<b>08W2</b>	CAVITY ONLY(WITHOUT VALVE)
<b>EP01</b>	EP08W2A01N05 , 40LPM,350bar (NORMALLY CLOSED,WITHOUT COIL)
<b>EP02</b>	EP08W2A02N05 , 40LPM,350bar (NORMALLY OPEN,WITHOUT COIL)
<b>EP01M</b>	EP08W2A01M05 , 40LPM,350bar(NORMALLY CLOSED WITH KNOB STYLE MANUAL OVERRIDE,WITHOUT COIL)
<b>EP02P</b>	EP08W2A02P05 , 40LPM,350bar(NORMALLY OPEN WITH PUSH STYLE MANUAL OVERRIDE,WITHOUT COIL)

COIL MUST BE ORDERED SEPARATELY  
(REFER TO EC-04W-X-Y-Z)

Z	BODY MATERIAL
<b>A</b>	HIGH-STRENGTH ALUMINUM
<b>S</b>	DUCTILE IRON