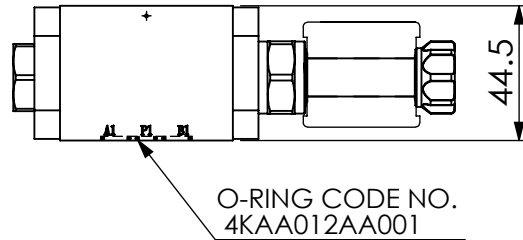
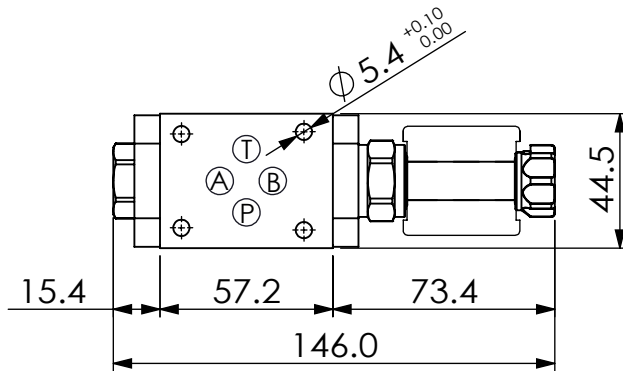
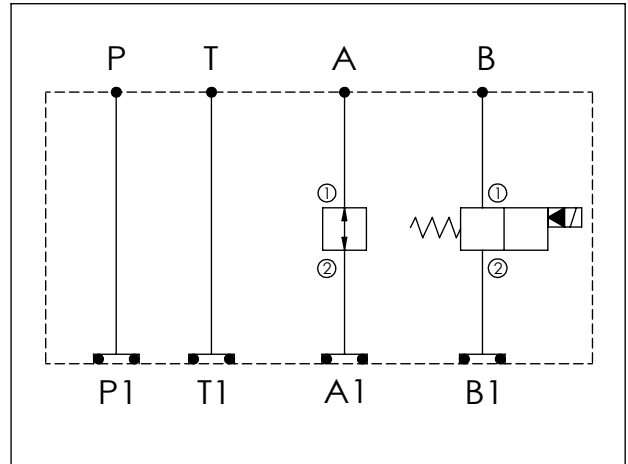
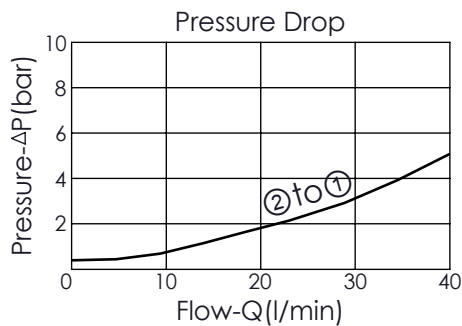


Ordering Code: <b>MH03EDW-X-Y-Z01</b>
Stack Height : 44.5mm



UNIT:mm



### TECHNICAL DATA

Aluminum Body Pressure Rating: 210 bar

Ductile Iron

Body Pressure Rating: 350 bar

Rated flow: 40 l/min

Cartridge Valve:

Refer to CP08W-X-Z

EP08W-X-Y-Z

\* Refer to Winner Cartridge Valves Catalog.

Aluminum	0.35 kg (WITHOUT VALVES)
	0.54 kg (INCLUDE VALVES, WITHOUT COIL)
Ductile Iron	0.95 kg (WITHOUT VALVES)
	1.14 kg (INCLUDE VALVES, WITHOUT COIL)

\* If you need the special specification. Please contact us.

Y	SELECTION FOR B PORT CONTROL (REFER TO EP08W-X-Y-Z)
<b>08W2</b>	CAVITY ONLY (WITHOUT VALVE)
<b>EP01</b>	EP08W2A01N05, 40LPM, 350bar (NORMALLY CLOSED, WITHOUT COIL)
<b>EP02</b>	EP08W2A02N05, 40LPM, 350bar (NORMALLY OPEN, WITHOUT COIL)
<b>EP01M</b>	EP08W2A01M05, 40LPM, 350bar (NORMALLY CLOSED WITH KNOB STYLE MANUAL OVERRIDE, WITHOUT COIL)
<b>EP02P</b>	EP08W2A02P05, 40LPM, 350bar (NORMALLY OPEN WITH PUSH STYLE MANUAL OVERRIDE, WITHOUT COIL)
COIL MUST BE ORDERED SEPARATELY (REFER TO EC-04W-X-Y-Z)	

X	SELECTION FOR A PORT CONTROL
<b>08W2</b>	CAVITY ONLY (WITHOUT VALVE)
<b>CP12</b>	CP08W2H12(3/4"-16UNF-2B, PORTS 1 AND 2 OPEN)
Please refer to the list price of cartridge program.	

Z	BODY MATERIAL	
<b>A</b>	<b>HIGH-STRENGTH ALUMINUM</b>	
<b>S</b>	<b>DUCTILE IRON</b>	