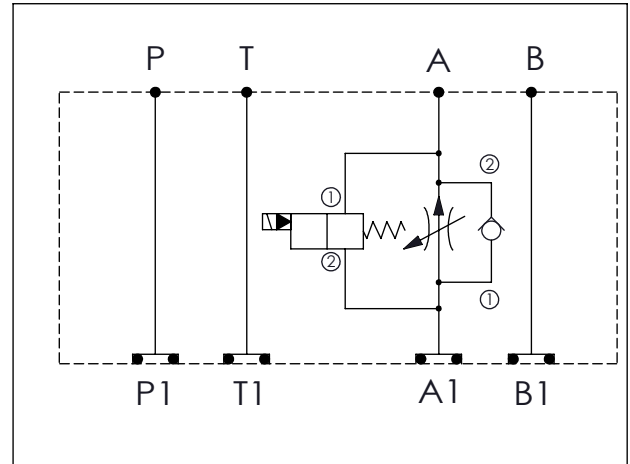


Ordering Code: **MH03FAE-X-Y-Z01**

Stack Height : 44.5mm

UNIT:mm



TECHNICAL DATA

Aluminum Body Pressure Rating: 210 bar
 Ductile Iron Body Pressure Rating: 350 bar

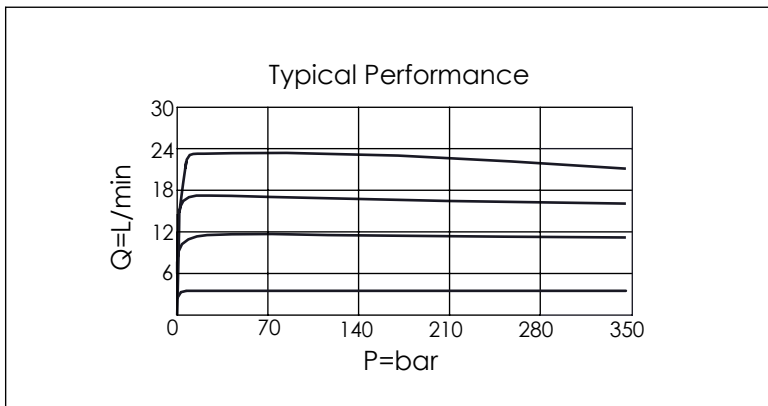
Rated flow: 23 l/min
 (Pressure Compensated)

Cartridge Valve:
 Refer to FR13A-X-Y-Z
 EP08W-X-Y-Z

* Refer to Winner Cartridge Valves Catalog.

| | |
|--------------|--|
| Aluminum | 0.35 kg(WITHOUT VALVES) 0.58 kg(INCLUDE VALVES, WITHOUT COIL) |
| Ductile Iron | 1.01 kg(WITHOUT VALVES) 1.24 kg(INCLUDE VALVES, WITHOUT COIL) |

* If you need the special specification. Please contact us.



| | |
|--|-----------------------------------|
| X | SELECTION FOR FLOW CONTROL |
| 13A2 | CAVITY ONLY(WITHOUT VALVE) |
| FR0A | FR13A20AL(23LPM,350bar) |
| Please refer to the list price of cartridge program. | |

| | |
|---|---|
| Y | SELECTION FOR B PORT CONTROL (REFER TO EP08W-X-Y-Z) |
| 08W2 | CAVITY ONLY(WITHOUT VALVE) |
| EP01 | EP08W2A01N05 , 40LPM,350bar (NORMALLY CLOSED,WITHOUT COIL) |
| EP02 | EP08W2A02N05 , 40LPM,350bar (NORMALLY OPEN,WITHOUT COIL) |
| EP01M | EP08W2A01M05 , 40LPM,350bar(NORMALLY CLOSED WITH KNOB STYLE MANUAL OVERRIDE,WITHOUT COIL) |
| EP02P | EP08W2A02P05 , 40LPM,350bar(NORMALLY OPEN WITH PUSH STYLE MANUAL OVERRIDE,WITHOUT COIL) |
| COIL MUST BE ORDERED SEPARATELY (REFER TO EC-04W-X-Y-Z) | |

| | |
|----------|-------------------------------|
| Z | BODY MATERIAL |
| A | HIGH-STRENGTH ALUMINUM |
| S | DUCTILE IRON |
| | |
| | |
| | |