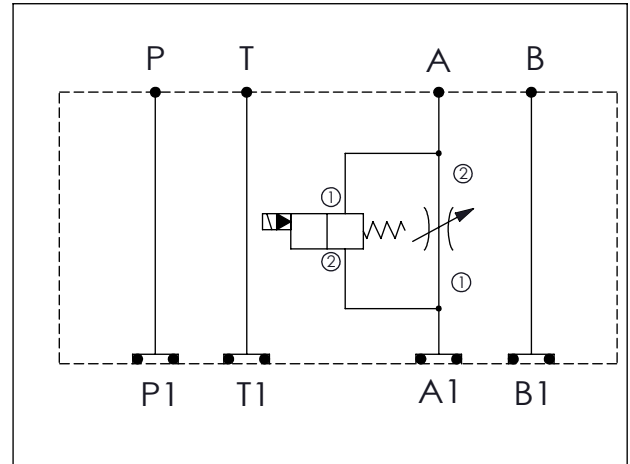


Ordering Code: **MH03FAE-X-Y-Z01**

Stack Height : 44.5mm

O-RING CODE NO.  
4KAA012AA001

UNIT:mm



### TECHNICAL DATA

Aluminum Body Pressure Rating: 210 bar  
 Ductile Iron  
 Body Pressure Rating: 350 bar  
 Rated flow: 40 l/min

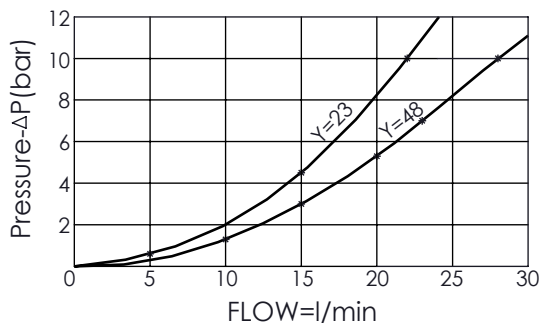
Cartridge Valve:  
 Refer to NV13A-X-Y-Z  
 EP08W-X-Y-Z

\* Refer to Winner Cartridge Valves Catalog.

Aluminum	0.35 kg(WITHOUT VALVES) 0.58 kg(INCLUDE VALVES , WITHOUT COIL)
Ductile Iron	1.01 kg(WITHOUT VALVES) 1.24 kg(INCLUDE VALVES , WITHOUT COIL)

\* If you need the special specification.  
 Please contact us.

FULLY OPEN RESTRICTOR-FLOW IN BOTH DIRECTIONS



### X SELECTION FOR FLOW CONTROL

<b>13A2</b>	CAVITY ONLY(WITHOUT VALVE)
<b>NV48</b>	NV13A2048L(350bar)

Please refer to the list price of cartridge program.

### Y SELECTION FOR B PORT CONTROL (REFER TO EP08W-X-Y-Z)

<b>08W2</b>	CAVITY ONLY(WITHOUT VALVE)
<b>EP01</b>	EP08W2A01M05 , 40LPM,350bar (NORMALLY CLOSED,WITHOUT COIL)
<b>EP02</b>	EP08W2A02N05 , 40LPM,350bar (NORMALLY OPEN,WITHOUT COIL)
<b>EP01M</b>	EP08W2A01M05 , 40LPM,350bar(NORMALLY CLOSED WITH KNOB STYLE MANUAL OVERRIDE,WITHOUT COIL)
<b>EP02P</b>	EP08W2A02P05 , 40LPM,350bar(NORMALLY OPEN WITH PUSH STYLE MANUAL OVERRIDE,WITHOUT COIL)

COIL MUST BE ORDERED SEPARATELY  
(REFER TO EC-04W-X-Y-Z)

### Z BODY MATERIAL

<b>A</b>	HIGH-STRENGTH ALUMINUM
<b>S</b>	DUCTILE IRON