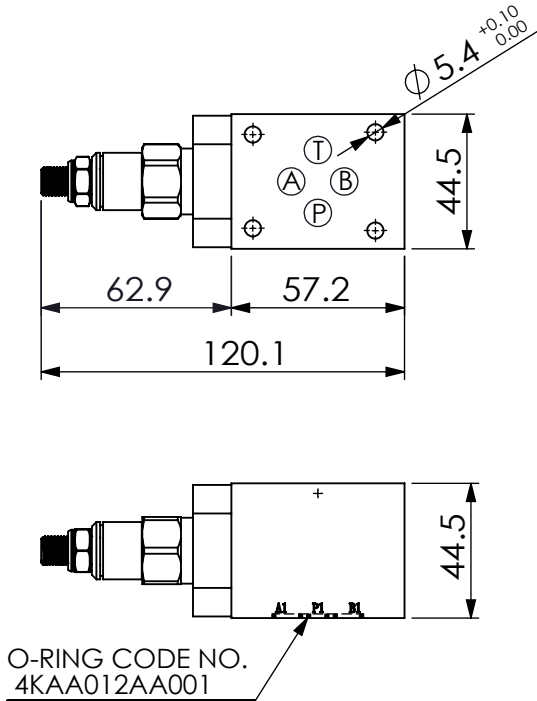
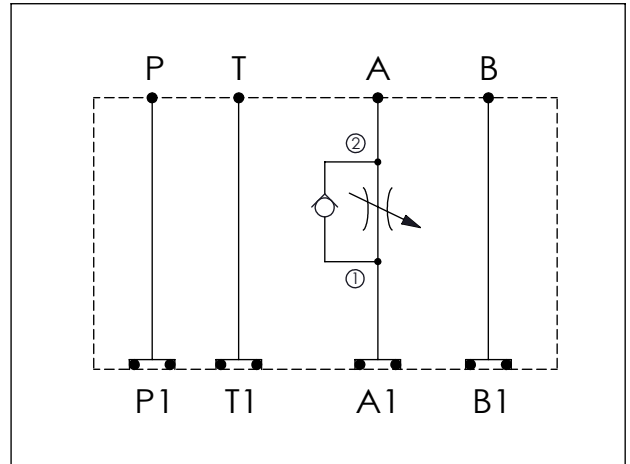


Ordering Code: **MH03FAO-X-Y-Z01**
 Stack Height : 44.5mm



UNIT:mm



TECHNICAL DATA

Aluminum Body Pressure Rating: 210 bar

Ductile Iron

Body Pressure Rating: 350 bar

Rated flow: 40 l/min

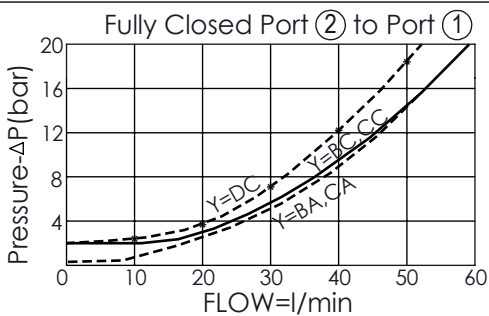
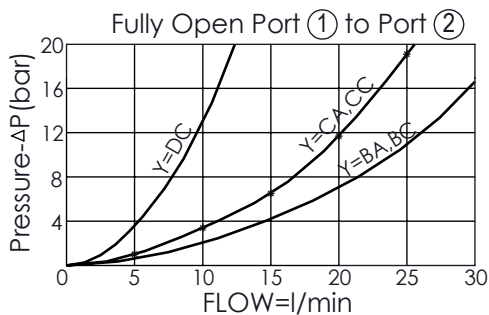
Cartridge Valve:

Refer to NC13A-X-Y-Z

* Refer to Winner Cartridge Valves Catalog.

Aluminum	0.35 kg(WITHOUT VALVE) 0.5 kg(INCLUDE VALVE)
Ductile Iron	1.0 kg(WITHOUT VALVE) 1.15 kg(INCLUDE VALVE)

* If you need the special specification.
Please contact us.



X SELECTION FOR A PORT CONTROL

13A2	CAVITY ONLY(WITHOUT VALVE)
NCBA	NC13A21BAL (20LPM,0.3bar)
NCBC	NC13A21BCL (20LPM,2.0bar)

Please refer to the list price of cartridge program.

Z BODY MATERIAL

A	HIGH-STRENGTH ALUMINUM
S	DUCTILE IRON

Y SELECTION FOR B PORT CONTROL

N	WITHOUT PORT
----------	--------------