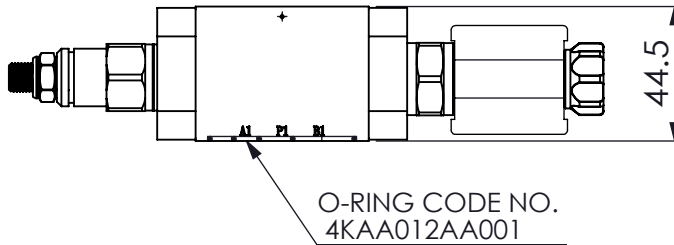
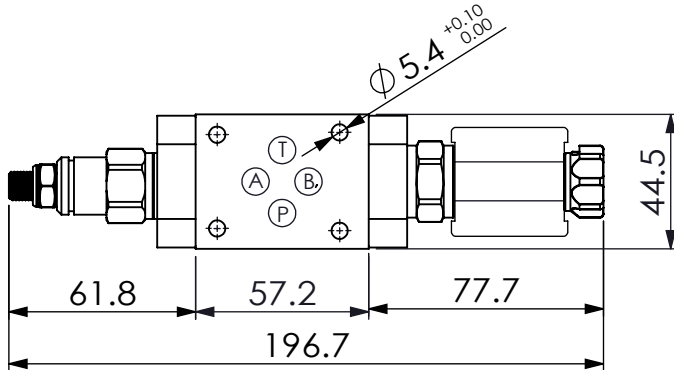
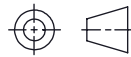


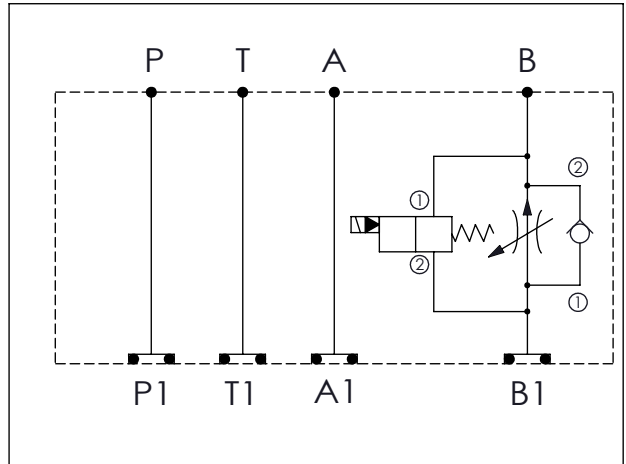
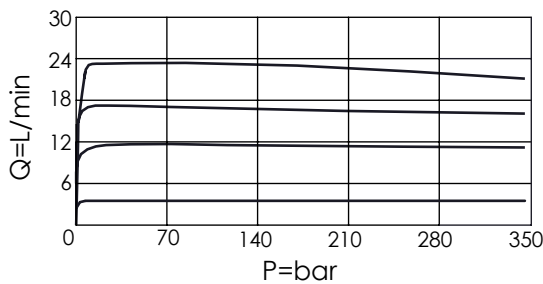
Ordering Code: <b>MH03FBE-X-Y-Z01</b>
Stack Height : 44.5mm



UNIT:mm



Typical Performance



### TECHNICAL DATA

Aluminum Body Pressure Rating: 210 bar  
 Ductile Iron  
 Body Pressure Rating: 350 bar

Rated flow: 23 l/min  
 (Pressure Compensated)

Cartridge Valve:  
 Refer to FR13A-X-Y-Z  
 EP08W-X-Y-Z

\* Refer to Winner Cartridge Valves Catalog.

Aluminum	0.35 kg(WITHOUT VALVES) 0.58 kg(INCLUDE VALVES , WITHOUT COIL)
Ductile Iron	1.01 kg(WITHOUT VALVES) 1.24 kg(INCLUDE VALVES , WITHOUT COIL)

\* If you need the special specification.  
 Please contact us.

<b>X</b>	<b>SELECTION FOR FLOW CONTROL</b>
<b>13A2</b>	CAVITY ONLY(WITHOUT VALVE)
<b>FR0A</b>	FR13A20AL(23LPM,350bar)
Please refer to the list price of cartridge program.	

<b>Y</b>	<b>SELECTION FOR B PORT CONTROL (REFER TO EP08W-X-Y-Z)</b>
<b>08W2</b>	CAVITY ONLY(WITHOUT VALVE)
<b>EP01</b>	EP08W2A01N05 , 40LPM,350bar (NORMALLY CLOSED,WITHOUT COIL)
<b>EP02</b>	EP08W2A02N05 , 40LPM,350bar (NORMALLY OPEN,WITHOUT COIL)
<b>EP01M</b>	EP08W2A01M05 , 40LPM,350bar(NORMALLY CLOSED WITH KNOB STYLE MANUAL OVERRIDE,WITHOUT COIL)
<b>EP02P</b>	EP08W2A02P05 , 40LPM,350bar(NORMALLY OPEN WITH PUSH STYLE MANUAL OVERRIDE,WITHOUT COIL)
COIL MUST BE ORDERED SEPARATELY (REFER TO EC-04W-X-Y-Z)	

<b>Z</b>	<b>BODY MATERIAL</b>
<b>A</b>	<b>HIGH-STRENGTH ALUMINUM</b>
<b>S</b>	<b>DUCTILE IRON</b>