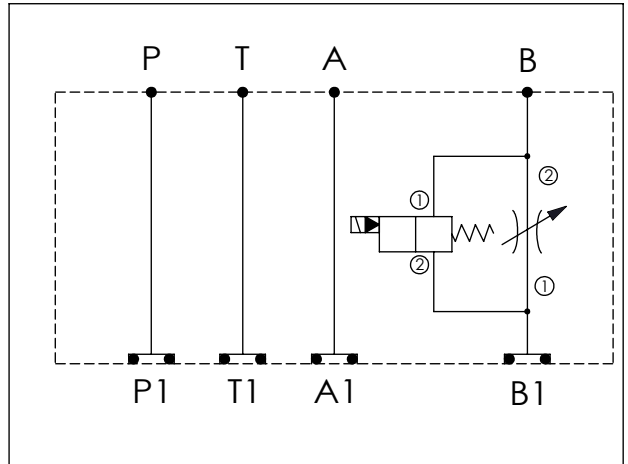


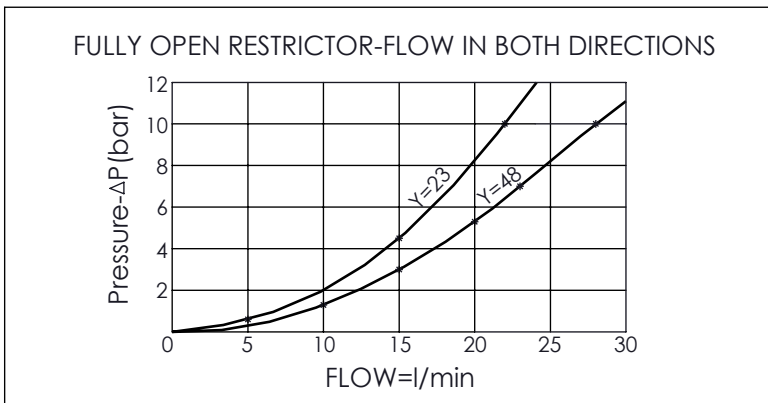
Ordering Code: **MH03FBE-X-Y-Z01**

Stack Height : 44.5mm

UNIT:mm



TECHNICAL DATA	
Aluminum Body Pressure Rating:	210 bar
Ductile Iron Body Pressure Rating:	350 bar
Rated flow:	40 l/min
Cartridge Valve:	Refer to NV13A-X-Y-Z EP08W-X-Y-Z
* Refer to Winner Cartridge Valves Catalog.	
Aluminum	0.35 kg(WITHOUT VALVES) 0.58 kg(INCLUDE VALVES WITHOUT COIL)
Ductile Iron	1.01 kg(WITHOUT VALVES) 1.24 kg(INCLUDE VALVES WITHOUT COIL)
* If you need the special specification. Please contact us.	



X	SELECTION FOR FLOW CONTROL
<b>13A2</b>	CAVITY ONLY(WITHOUT VALVE)
<b>NV48</b>	NV13A2048L(350bar)
Please refer to the list price of cartridge program.	

Y	SELECTION FOR B PORT CONTROL (REFER TO EP08W-X-Y-Z)
<b>08W2</b>	CAVITY ONLY(WITHOUT VALVE)
<b>EP01</b>	EP08W2A01N05 , 40LPM,350bar (NORMALLY CLOSED,WITHOUT COIL)
<b>EP02</b>	EP08W2A02N05 , 40LPM,350bar (NORMALLY OPEN,WITHOUT COIL)
<b>EP01M</b>	EP08W2A01M05 , 40LPM,350bar(NORMALLY CLOSED WITH KNOB STYLE MANUAL OVERRIDE,WITHOUT COIL)
<b>EP02P</b>	EP08W2A02P05 , 40LPM,350bar(NORMALLY OPEN WITH PUSH STYLE MANUAL OVERRIDE,WITHOUT COIL)
COIL MUST BE ORDERED SEPARATELY (REFER TO EC-04W-X-Y-Z)	

Z	BODY MATERIAL
<b>A</b>	HIGH-STRENGTH ALUMINUM
<b>S</b>	DUCTILE IRON