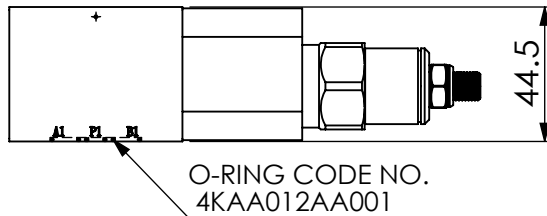
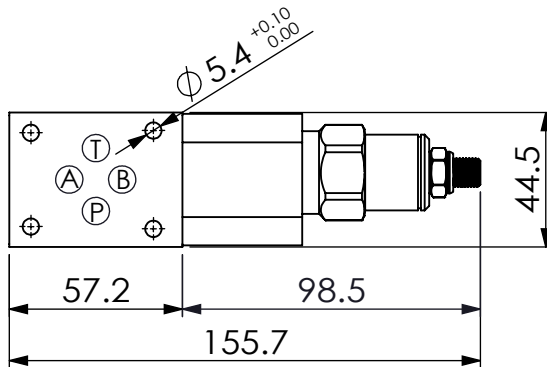
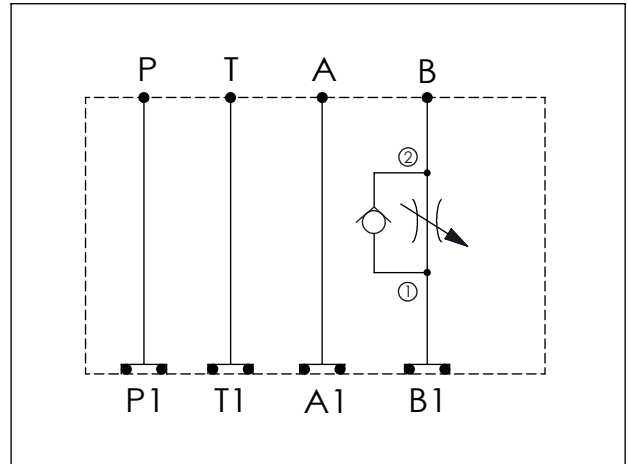


Ordering Code: **MH03FBH-X-Y-Z 01**
 Stack Height : 44.5mm



UNIT:mm



TECHNICAL DATA

Aluminum Body Pressure Rating: 210 bar

Ductile Iron

Body Pressure Rating: 350 bar

Rated flow: 40 l/min

Cartridge Valve:

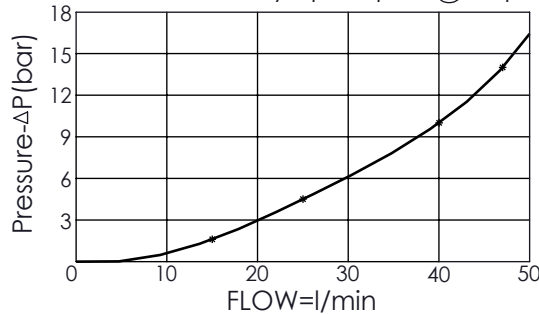
Refer to NC5A-X-Y-Z

* Refer to Winner Cartridge Valves Catalog.

Aluminum	0.4 kg(WITHOUT VALVE)
	0.67 kg(INCLUDE VALVE)

* If you need the special specification. Please contact us.

When the valve is fully open, port ① to port ②



X SELECTION FOR A PORT CONTROL

N WITHOUT PORT

Y SELECTION FOR B PORT CONTROL

5A2 CAVITY ONLY(WITHOUT VALVE)

NCBA NC5A21BAL(0.3bar)

NCBC NC5A21BCL(2.0bar)

Z BODY MATERIAL

A HIGH-STRENGTH ALUMINUM

Please refer to the list price of cartridge program.