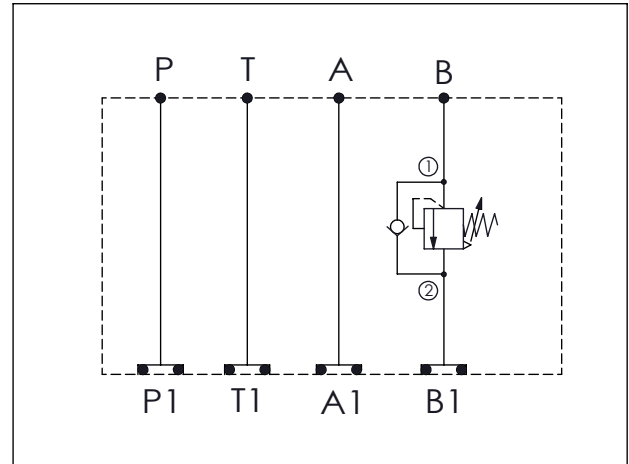


Ordering Code: **MH03FBI-X-Y-Z 01**

Stack Height : 44.5mm

UNIT:mm



**TECHNICAL DATA**

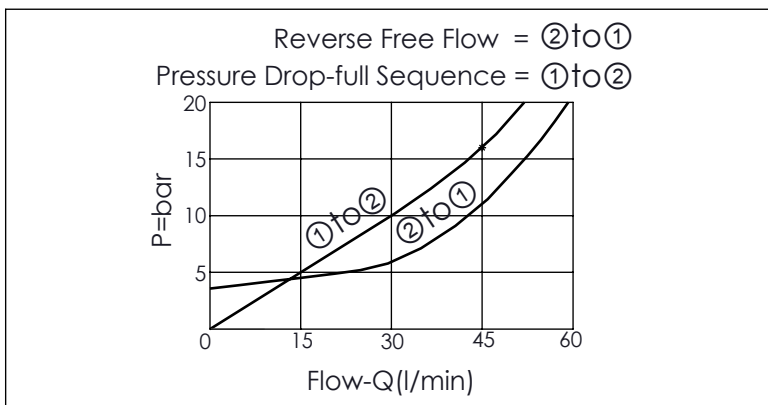
Aluminum Body Pressure Rating: 210 bar  
 Ductile Iron Body Pressure Rating: 350 bar

Rated flow: 40 l/min

Cartridge Valve:  
 Refer to SC13A-X-Y-Z  
 \* Refer to Winner Cartridge Valves Catalog.

Aluminum	0.35 kg(WITHOUT VALVE) 0.56 kg(INCLUDE VALVE)
Ductile Iron	0.9 kg(WITHOUT VALVE) 1.11 kg(INCLUDE VALVE)

\* If you need the special specification. Please contact us.



<b>X</b>	<b>SELECTION FOR A PORT CONTROL</b>
<b>N</b>	WITHOUT PORT

<b>Y</b>	<b>SELECTION FOR B PORT CONTROL</b>
<b>13A2</b>	CAVITY ONLY(WITHOUT VALVE)
<b>SC0A</b>	SC13A20AL (60LPM,35-210bar)
<b>SC0B</b>	SC13A20BL (60LPM,20-105bar)

<b>Z</b>	<b>BODY MATERIAL</b>
<b>A</b>	HIGH-STRENGTH ALUMINUM
<b>S</b>	DUCTILE IRON

Please refer to the list price of cartridge program.