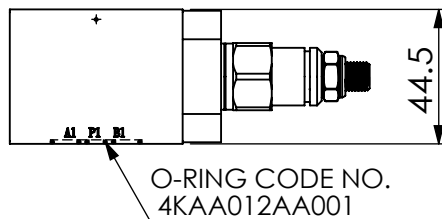
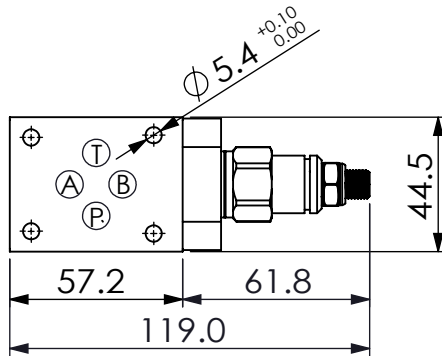
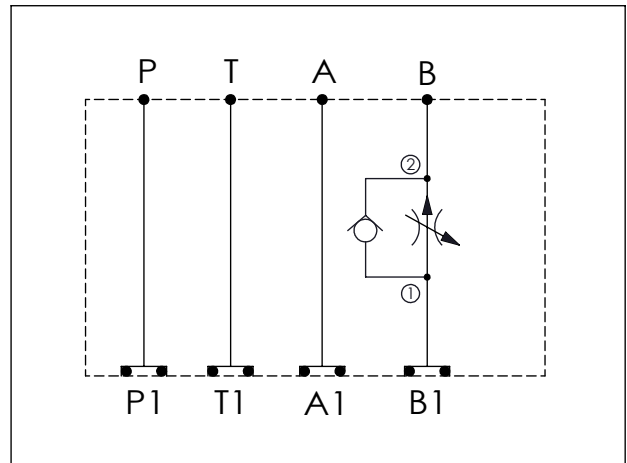


Ordering Code: **MH03FBO-X-Y-Z01**
 Stack Height : 44.5mm



UNIT:mm



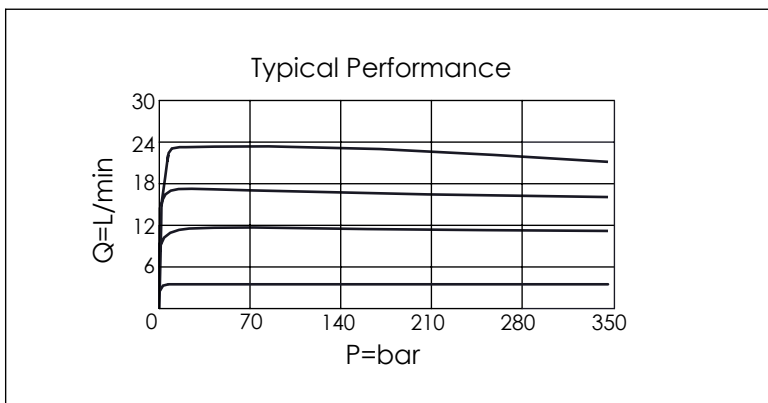
TECHNICAL DATA

Aluminum Body Pressure Rating: 210 bar
 Ductile Iron Body Pressure Rating: 350 bar
 Rated flow: 23 l/min (Pressure Compensated)

Cartridge Valve:
 Refer to FR13A-X-Y-Z
 * Refer to Winner Cartridge Valves Catalog.

Aluminum	0.35 kg(WITHOUT VALVE) 0.5 kg(INCLUDE VALVE)
Ductile Iron	1.0 kg(WITHOUT VALVE) 1.15 kg(INCLUDE VALVE)

* If you need the special specification. Please contact us.



X	SELECTION FOR A PORT CONTROL
N	WITHOUT PORT

Y	SELECTION FOR B PORT CONTROL
13A2	CAVITY ONLY(WITHOUT VALVE)
FR0A	FR13A20AL (23LPM,350bar)

Z	BODY MATERIAL
A	HIGH-STRENGTH ALUMINUM
S	DUCTILE IRON

Please refer to the list price of cartridge program.