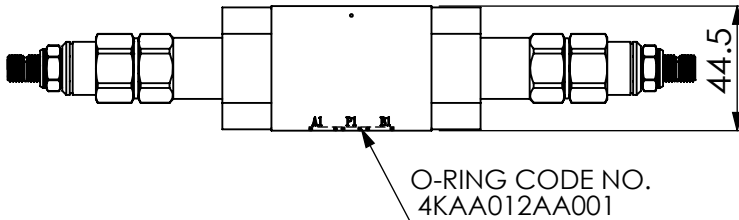
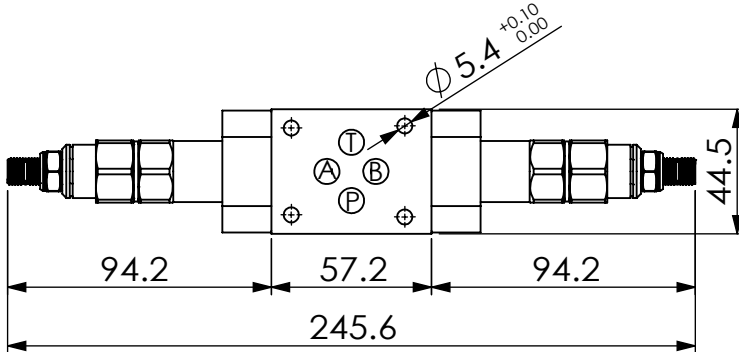
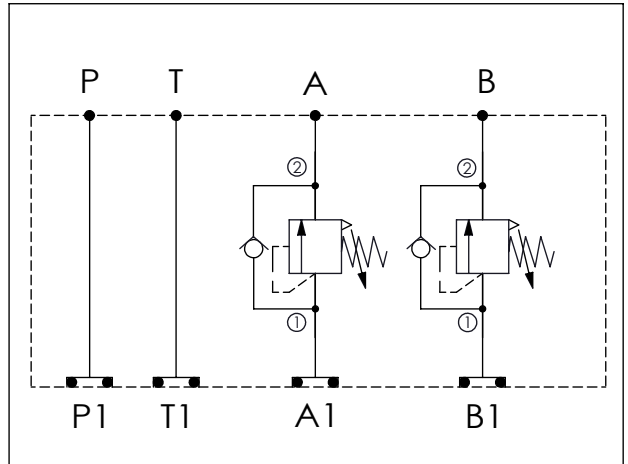


Ordering Code: **MH03FDO-X-Y-Z01**
 Stack Height : 44.5mm



UNIT:mm



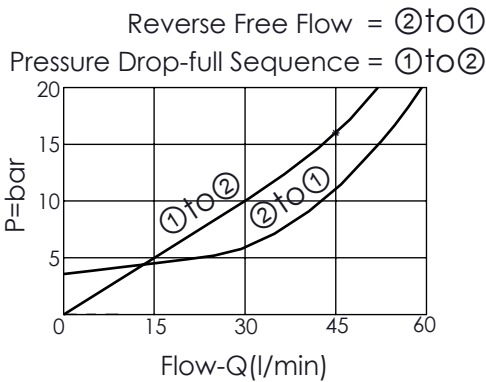
TECHNICAL DATA

Aluminum Body Pressure Rating: 210 bar
 Ductile Iron Body Pressure Rating: 350 bar
 Rated flow: 40 l/min

Cartridge Valve:
 Refer to SC13A-X-Y-Z
 * Refer to Winner Cartridge Valves Catalog.

Aluminum	0.4 kg(WITHOUT VALVES) 0.85 kg(INCLUDE VALVES)
Ductile Iron	1.15 kg(WITHOUT VALVES) 1.45 kg(INCLUDE VALVES)

* If you need the special specification. Please contact us.



X SELECTION FOR A PORT CONTROL

13A2	CAVITY ONLY(WITHOUT VALVE)
SC0A	SC13A20AL (60LPM,35-210bar)

Please refer to the list price of cartridge program.

Y SELECTION FOR B PORT CONTROL

13A2	CAVITY ONLY(WITHOUT VALVE)
SC0A	SC13A20AL (60LPM,35-210bar)

Please refer to the list price of cartridge program.

Z BODY MATERIAL

A	HIGH-STRENGTH ALUMINUM
S	DUCTILE IRON