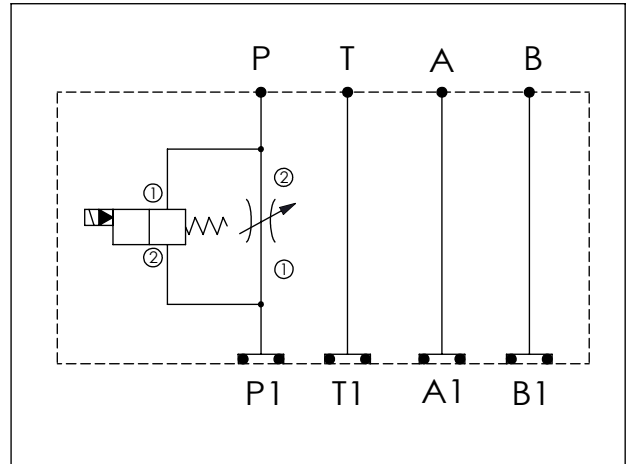


Ordering Code:	MH03FPE-X-Y-Z01
Stack Height :	44.5mm

O-RING CODE NO.
4KAA012AA001

UNIT:mm



TECHNICAL DATA

Aluminum Body Pressure Rating: 210 bar
 Ductile Iron
 Body Pressure Rating: 350 bar
 Rated flow: 40 l/min

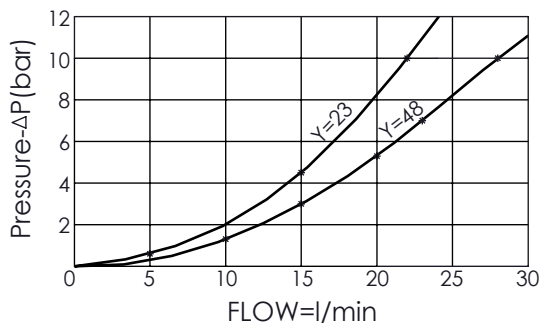
Cartridge Valve:
 Refer to NV13A-X-Y-Z
 EP08W-X-Y-Z

* Refer to Winner Cartridge Valves Catalog.

Aluminum	0.35 kg(WITHOUT VALVES) 0.58 kg(INCLUDE VALVES WITHOUT COIL)
Ductile Iron	1.0 kg(WITHOUT VALVES) 1.23 kg(INCLUDE VALVES WITHOUT COIL)

* If you need the special specification.
 Please contact us.

FULLY OPEN RESTRICTOR-FLOW IN BOTH DIRECTIONS



X SELECTION FOR FLOW CONTROL

13A2	CAVITY ONLY(WITHOUT VALVE)
NV48	NV13A2048L (350bar)

Please refer to the list price of cartridge program.

Y SELECTION FOR B PORT CONTROL (REFER TO EP08W-X-Y-Z)

08W2	CAVITY ONLY(WITHOUT VALVE)
EP01	EP08W2A01N05 , 40LPM,350bar (NORMALLY CLOSED,WITHOUT COIL)
EP02	EP08W2A02N05 , 40LPM,350bar (NORMALLY OPEN,WITHOUT COIL)
EP01M	EP08W2A01M05 , 40LPM,350bar(NORMALLY CLOSED WITH KNOB STYLE MANUAL OVERRIDE,WITHOUT COIL)
EP02P	EP08W2A02P05 , 40LPM,350bar(NORMALLY OPEN WITH PUSH STYLE MANUAL OVERRIDE,WITHOUT COIL)

COIL MUST BE ORDERED SEPARATELY
(REFER TO EC-04W-X-Y-Z)

Z BODY MATERIAL

A	HIGH-STRENGTH ALUMINUM
S	DUCTILE IRON