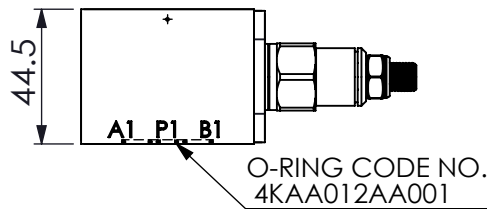
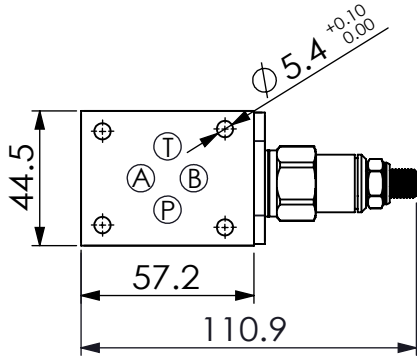
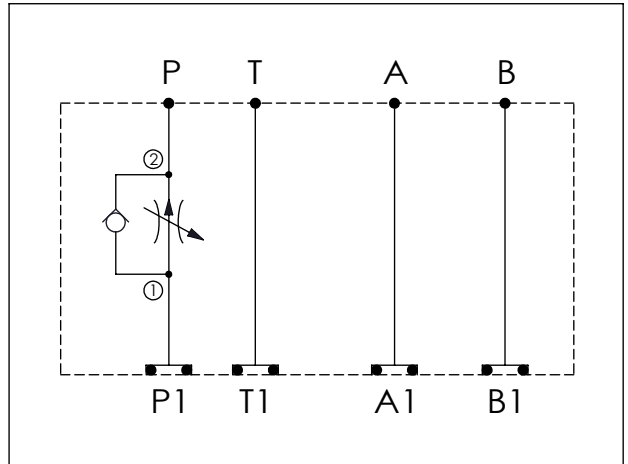


ISO 03 SANDWICH MANIFOLD

Ordering Code: **MH03FPW-X-Y-Z01**
 Stack Height : 44.5mm



UNIT:mm



TECHNICAL DATA

Aluminum Body Pressure Rating: 210 bar

Ductile Iron

Body Pressure Rating: 350 bar

Rated flow: 23 l/min
(Pressure Compensated)

Cartridge Valve:

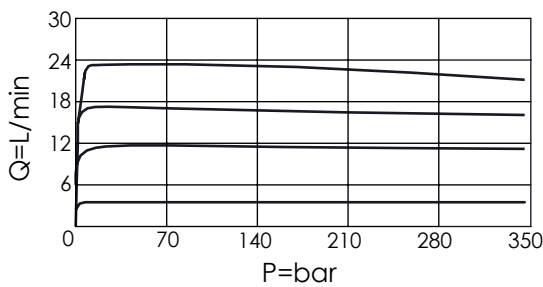
Refer to FR13A-X-Y-Z

* Refer to Winner Cartridge Valves Catalog.

Aluminum	0.27 kg(WITHOUT VALVE) 0.45 kg(INCLUDE VALVE)
Ductile Iron	0.77 kg(WITHOUT VALVE) 0.95 kg(INCLUDE VALVE)

* If you need the special specification.
Please contact us.

Typical Performance



X SELECTION FOR A PORT CONTROL

N WITHOUT PORT

Y SELECTION FOR B PORT CONTROL

13A2 CAVITY ONLY(WITHOUT VALVE)

FR0A FR13A20AL (23LPM,350bar)

Z BODY MATERIAL

A HIGH-STRENGTH ALUMINUM

S DUCTILE IRON

Please refer to the list price of cartridge program.