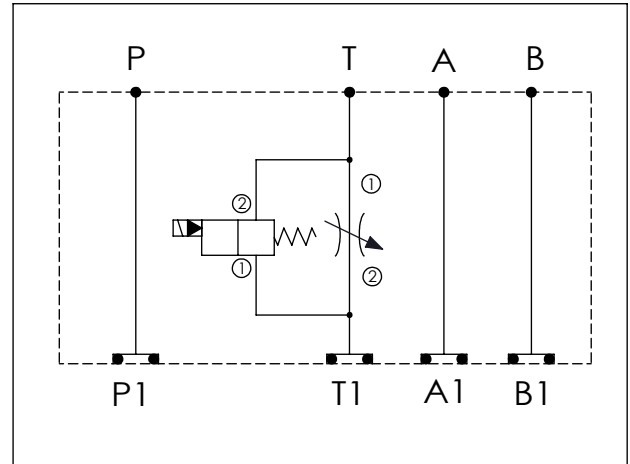


## ISO 03 SANDWICH MANIFOLD

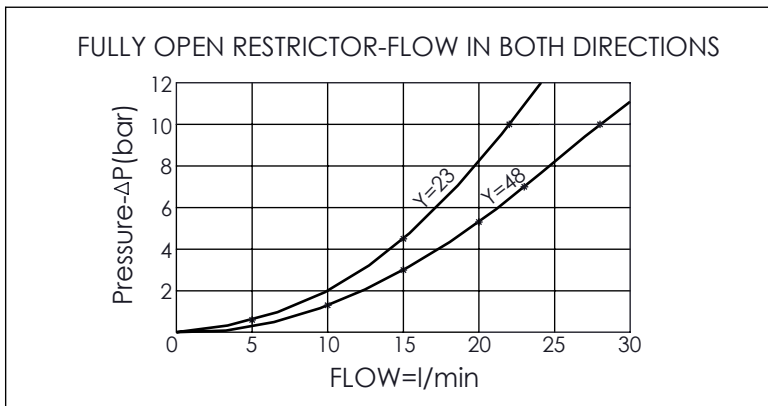
Ordering Code:	<b>MH03FTE-X-Y-Z 01</b>
Stack Height :	44.5mm

UNIT:mm



<b>TECHNICAL DATA</b>	
Aluminum Body Pressure Rating:	210 bar
Ductile Iron Body Pressure Rating:	350 bar
Rated flow:	40 l/min
Cartridge Valve:	Refer to NV13A-X-Y-Z EP08W-X-Y-Z
* Refer to Winner Cartridge Valves Catalog.	
Aluminum	0.35 kg (WITHOUT VALVES) 0.58 kg (INCLUDE VALVES , WITHOUT COIL)



\* If you need the special specification. Please contact us.

<b>X</b>	<b>SELECTION FOR FLOW CONTROL</b>
<b>13A2</b>	CAVITY ONLY (WITHOUT VALVE)
<b>NV48</b>	NV13A2048L (350bar)
Please refer to the list price of cartridge program.	

<b>Y</b>	<b>SELECTION FOR SOLENOID VALVES (REFER TO EP08W-X-Y-Z)</b>
<b>08W2</b>	CAVITY ONLY (WITHOUT VALVE)
<b>EP01</b>	EP08W2A01N05 , 40LPM, 350bar (NORMALLY CLOSED, WITHOUT COIL)
<b>EP02</b>	EP08W2A02N05 , 40LPM, 350bar (NORMALLY OPEN, WITHOUT COIL)
<b>EP01M</b>	EP08W2A01M05 , 40LPM, 350bar (NORMALLY CLOSED WITH KNOB STYLE MANUAL OVERRIDE, WITHOUT COIL)
<b>EP02P</b>	EP08W2A02P05 , 40LPM, 350bar (NORMALLY OPEN WITH PUSH STYLE MANUAL OVERRIDE, WITHOUT COIL)
COIL MUST BE ORDERED SEPARATELY (REFER TO EC-04W-X-Y-Z)	

<b>Z</b>	<b>BODY MATERIAL</b>
<b>A</b>	<b>HIGH-STRENGTH ALUMINUM</b>