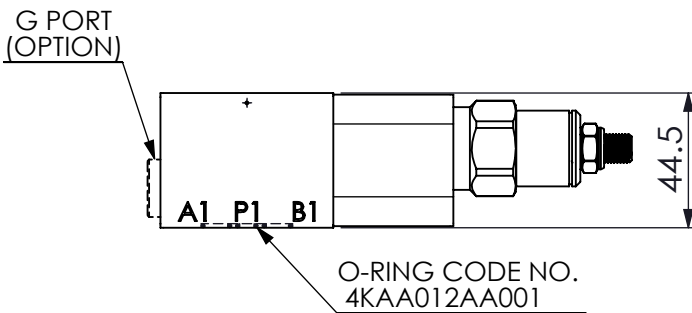
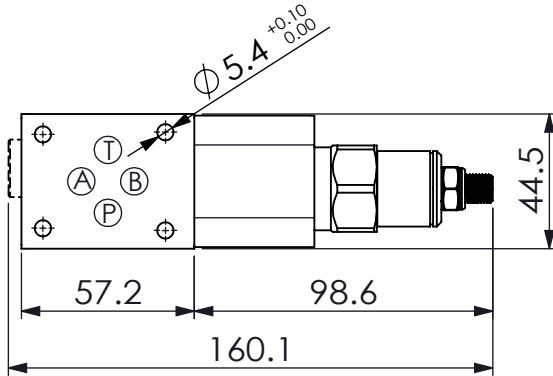
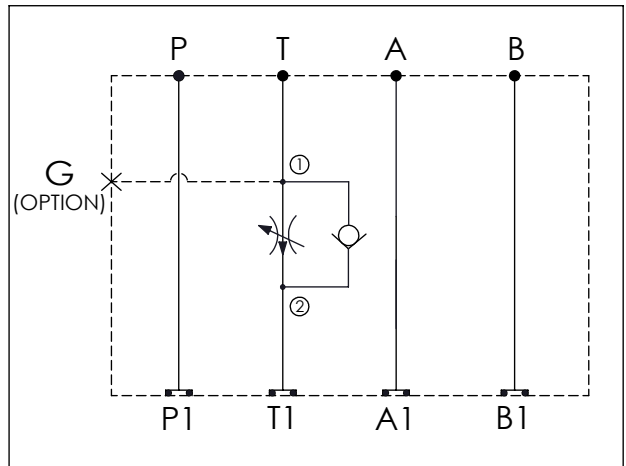


Ordering Code: MH03FTH-X-Y-Z01
Stack Height : 44.5mm



UNIT:mm



TECHNICAL DATA

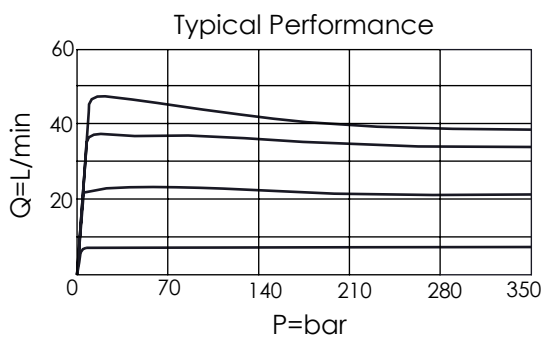
Aluminum Body Pressure Rating: 210 bar
 Ductile Iron Body Pressure Rating: 350 bar

Rated flow: 40 l/min
 (Pressure Compensated)

Cartridge Valve:
 Refer to FR5A-X-Y-Z
 * Refer to Winner Cartridge Valve Catalog.

Aluminum	0.4 kg(WITHOUT VALVE)
	0.67 kg(INCLUDE VALVE)
Ductile Iron	1.15 kg(WITHOUT VALVE)
	1.42 kg(INCLUDE VALVE)

* If you need the special specification. Please contact us.



X	SELECTION FOR G PORT (OPTION)	
N	WITHOUT G PORT	
G02	G 1/4"(Metric)	

Y	SELECTION FOR T PORT CONTROL
5A2	CAVITY ONLY(WITHOUT VALVE)
FR0A	FR5A20AL(0.4-45LPM)

Z	BODY MATERIAL	
A	HIGH-STRENGTH ALUMINUM	
S	DUCTILE IRON	

Please refer to the list price of cartridge program.