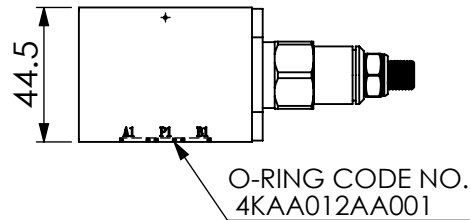
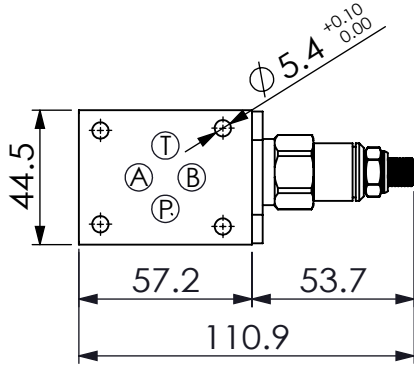
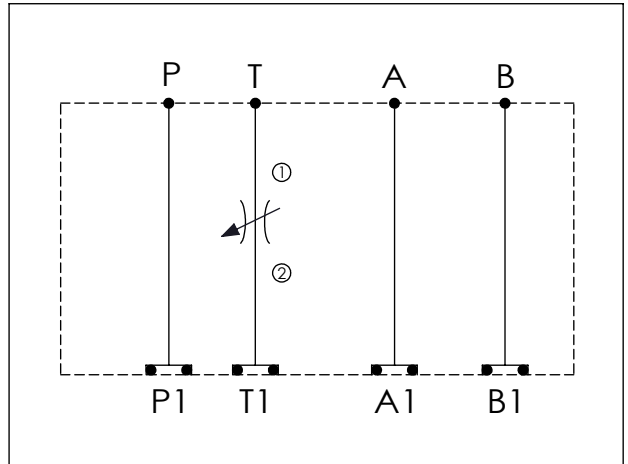


ISO 03 SANDWICH MANIFOLD

Ordering Code: MH03FTW-X-Y-Z01
Stack Height : 44.5mm



UNIT:mm



TECHNICAL DATA

Aluminum Body Pressure Rating: 210 bar
 Ductile Iron
 Body Pressure Rating: 350 bar

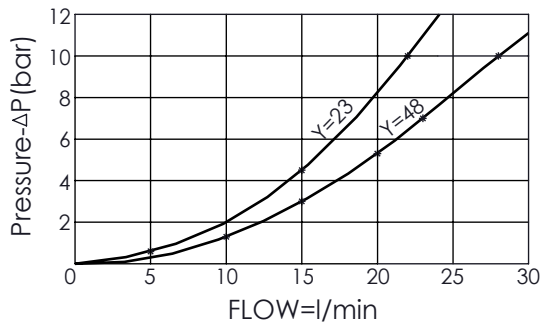
Rated flow: 40 l/min

Cartridge Valve:
 Refer to NV13A-X-Y-Z
 * Refer to Winner Cartridge Valve Catalog.

Aluminum	0.27 kg(WITHOUT VALVE)
	0.45 kg(INCLUDE VALVE)
Ductile Iron	0.77 kg(WITHOUT VALVE)
	0.95 kg(INCLUDE VALVE)

* If you need the special specification.
 Please contact us.

FULLY OPEN RESTRICTOR-FLOW IN BOTH DIRECTIONS



X	SELECTION FOR A PORT CONTROL
N	WITHOUT PORT

Y	SELECTION FOR B PORT CONTROL
13A2	CAVITY ONLY(WITHOUT VALVE)
NV48	NV13A2048L (350bar)

Z	BODY MATERIAL
A	HIGH-STRENGTH ALUMINUM
S	DUCTILE IRON

Please refer to the list price of cartridge program.