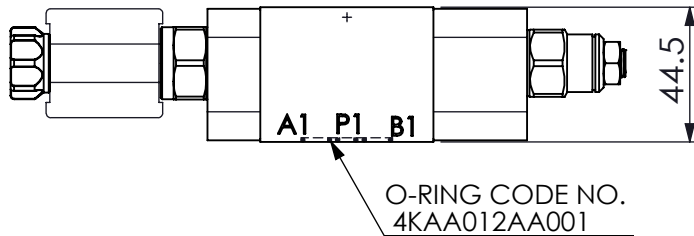
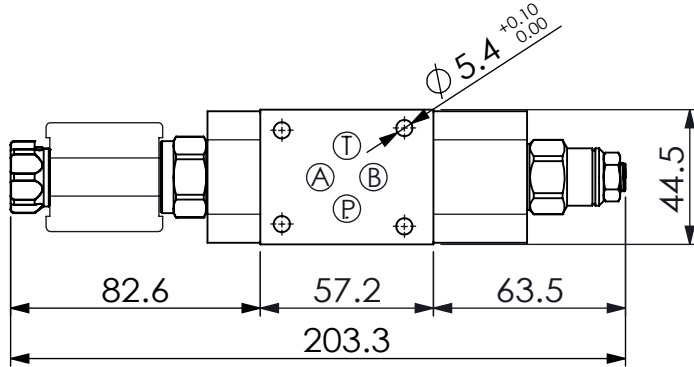


ISO 03 SANDWICH MANIFOLD

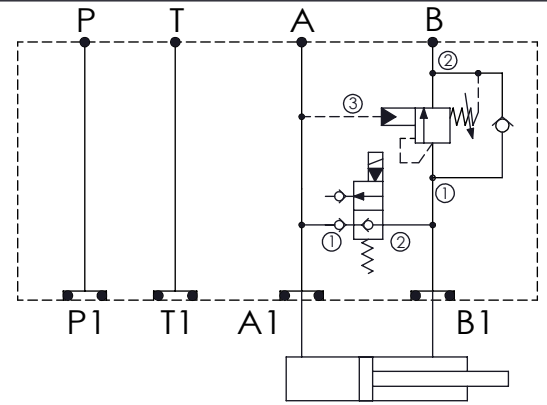
Ordering Code: **MH03GBE-X-Y-Z01**
 Stack Height : 44.5mm



UNIT:mm



B to A , Regenerative



TECHNICAL DATA

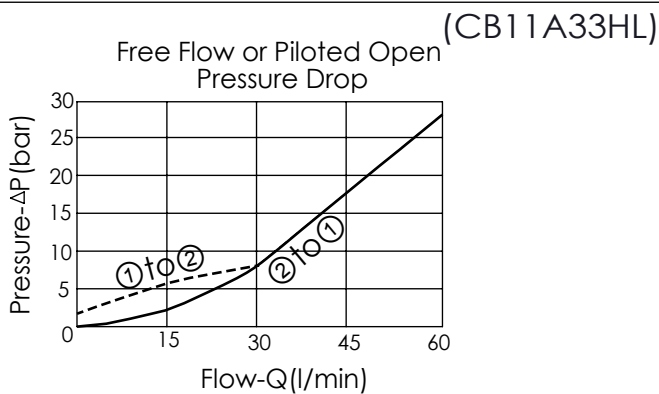
Aluminum Body Pressure Rating: 210 bar
 Ductile Iron Body Pressure Rating: 350 bar
 Rated flow: 40 l/min

Cartridge Valve:
 Refer to EP19E-X-Y-Z
 CB11A-X-Y-Z

* Refer to Winner Cartridge Valves Catalog.

Aluminum	0.43 kg(WITHOUT VALVES) 0.72 kg(INCLUDE VALVES, WITHOUT COIL)
Ductile Iron	1.24 kg(WITHOUT VALVES) 1.53 kg(INCLUDE VALVES, WITHOUT COIL)

* If you need the special specification. Please contact us.



X SELECTION FOR SOLENOID VALVES (REFER TO EP19E-X-Y-Z)

19E2	CAVITY ONLY(WITHOUT VALVE)
EP11	EP19E2A11N05 , 40LPM,350bar (NORMALLY CLOSED,WITHOUT COIL)
EP11M	EP19E2A11M05 , 40LPM,350bar(NORMALLY CLOSED WITH KNOB STYLE MANUAL OVERRIDE,WITHOUT COIL)

COIL MUST BE ORDERED SEPARATELY (REFER TO EC-04W-X-Y-Z)

Y SELECTION FOR COUNTERBALANCE VALVE

11A3	CAVITY ONLY(WITHOUT VALVE)
CB3H	CB11A33HL (60LPM , 70-280bar)

Z BODY MATERIAL

A	HIGH-STRENGTH ALUMINUM
S	DUCTILE IRON

Please refer to the list price of cartridge program.