

## ISO 03 SANDWICH MANIFOLD

Ordering Code: **MH03GBW-X-Y-Z01**

Stack Height : 44.5mm

SD11A      CB11A

$\phi 5.4^{+0.10}_{0.00}$

44.5

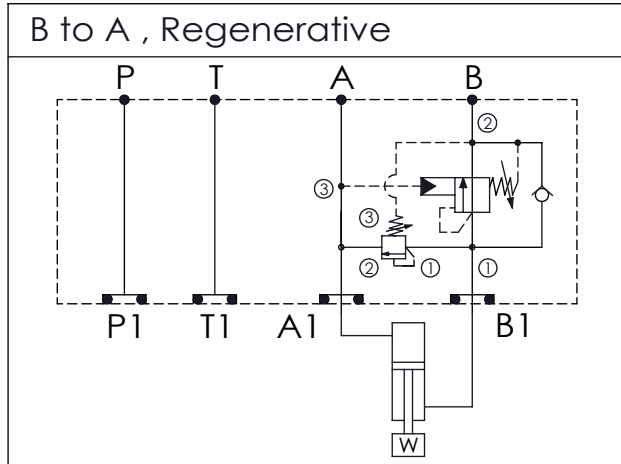
89.9      57.2      63.6

210.7

44.5

O-RING CODE NO. 4KAA012AA001

UNIT:mm



### TECHNICAL DATA

Aluminum Body Pressure Rating: 210 bar  
Ductile Iron Body Pressure Rating: 350 bar

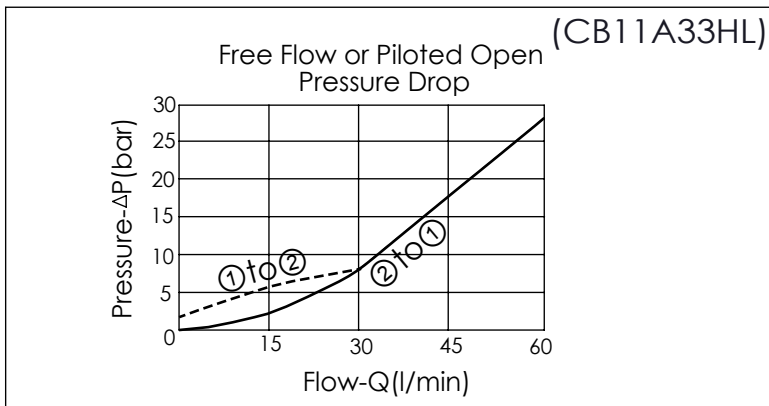
Rated flow: 40 l/min

Cartridge Valve:  
Refer to SD11A-X-Y-Z  
CB11A-X-Y-Z

\* Refer to Winner Cartridge Valves Catalog.

Aluminum	0.5 kg(WITHOUT VALVES) 0.95 kg(INCLUDE VALVES)
Ductile Iron	1.35 kg(WITHOUT VALVES) 1.8 kg(INCLUDE VALVES)

\* If you need the special specification. Please contact us.



X	SELECTION FOR PILOT-TO-CLOSE VALVE
<b>11A3</b>	CAVITY ONLY(WITHOUT VALVE)
<b>SD0A</b>	SD11A30AL (60LPM,35-210bar)
<b>SD0B</b>	SD11A30BL (60LPM,20-105bar)

Please refer to the list price of cartridge program.

Y	SELECTION FOR COUNTERBALANCE VALVE
<b>11A3</b>	CAVITY ONLY(WITHOUT VALVE)
<b>CB3H</b>	CB11A33HL (60LPM , 70-280bar)

Z	BODY MATERIAL
<b>A</b>	HIGH-STRENGTH ALUMINUM
<b>S</b>	DUCTILE IRON

Please refer to the list price of cartridge program.