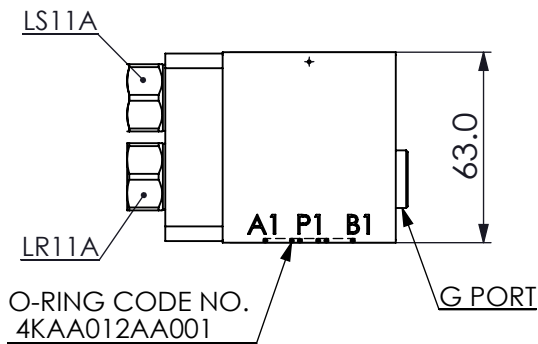
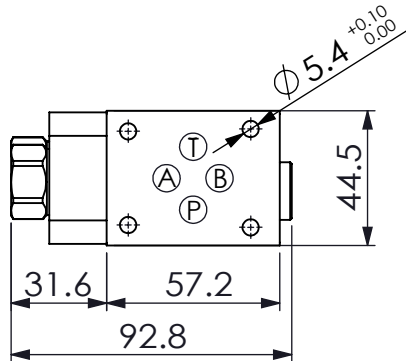
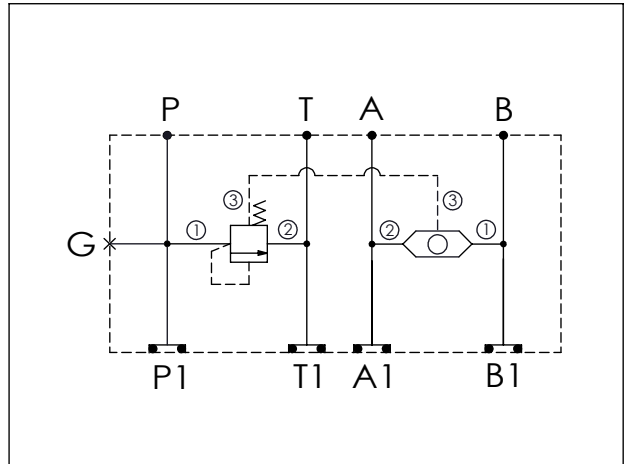


Ordering Code: **MH03KPB-X-Y-Z 03**
 Stack Height : 63.0mm



UNIT:mm



TECHNICAL DATA

Aluminum Body Pressure Rating: 210 bar

Ductile Iron

Body Pressure Rating: 350 bar

Rated flow: 40 l/min

Cartridge Valve:

Refer to LR11A-X-Y-Z

LS11A-X-Y-Z

* Refer to Winner Cartridge Valves Catalog.

Aluminum	0.45 kg(WITHOUT VALVES) 0.75 kg(INCLUDE VALVES)
----------	--

Ductile Iron	1.3 kg(WITHOUT VALVES) 1.7 kg(INCLUDE VALVES)
--------------	--

* If you need the special specification.
Please contact us.

X	SELECTION FOR LOGIC ELEMENT
11A3	CAVITY ONLY(WITHOUT VALVE)
LR35	LR11A3035N(60LPM,3.5bar)
LR70	LR11A3070N(60LPM,7.0bar)
LR100	LR11A30100N(60LPM,10.0bar)
LR140	LR11A30140N(60LPM,14.0bar)
Please refer to the list price of cartridge program.	

Y	SELECTION FOR SHUTTLE VALVE
11A3	CAVITY ONLY(WITHOUT VALVE)
LS3N	LS11A33NN(10LPM,350bar)

Please refer to the list price of cartridge program.

Z	BODY MATERIAL
A	HIGH-STRENGTH ALUMINUM
S	DUCTILE IRON